

# Tourline 25 Way Speaker Connectors

Tourline Size 32, 25 way multipin connectors for speaker applications designed to connect up to 12 channel line array systems in a single housing. Adopted by some of the world's leading speaker manufacturers, these connectors are based on our popular Tourline series and are manufactured to ensure continual and reliable operation in the harsh environment of professional sound applications. Directly derived from a reliable and rugged military standards (Mil C 5015 & VG 95234), key features include:

- Crimp or solder contacts for up to 4mm<sup>2</sup> wire
- IP67 grade waterproof (when mated) for outdoor applications
- Metal shells and coupling rings with increased wall sections to improve impact resistance
- Fast and reliable bayonet locking of the coupling nut under vibration or shock conditions
- Minimum 2000 matings
- Aluminium alloy shells with a hard wearing black finish

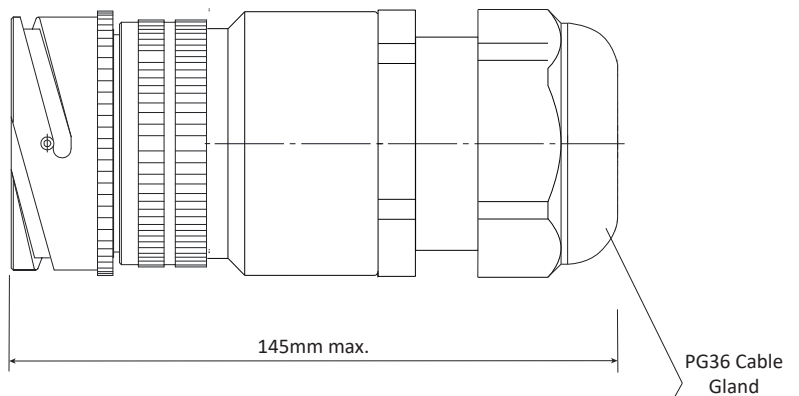
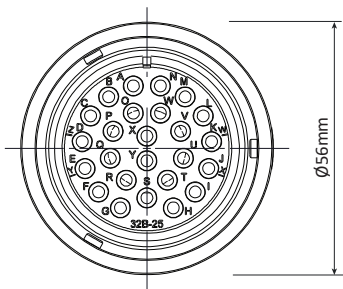
Size 32 - 25 Way Cable Mount Receptacle



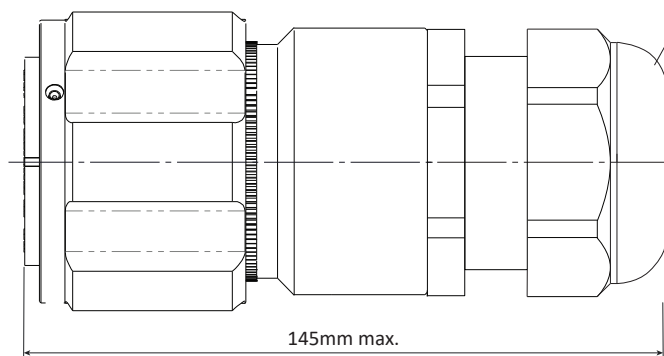
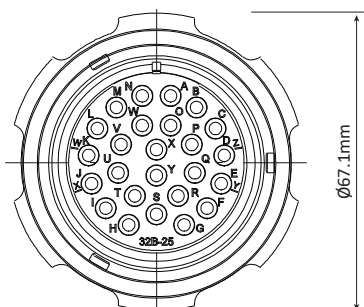
Size 32 - 25 Way Cable Mount Plug



## Size 32- 25 Way Cable Mount Receptacle



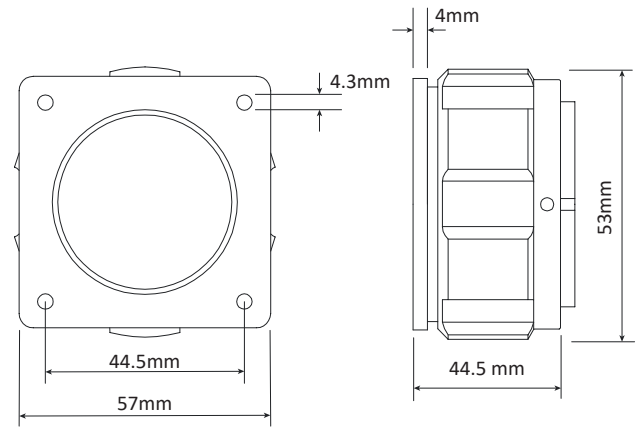
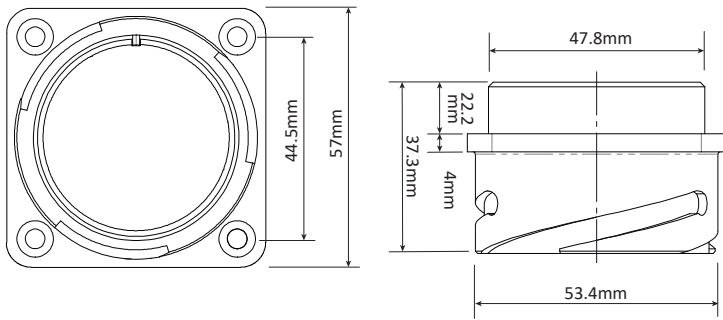
## Size 32- 25 Way Cable Mount Plug



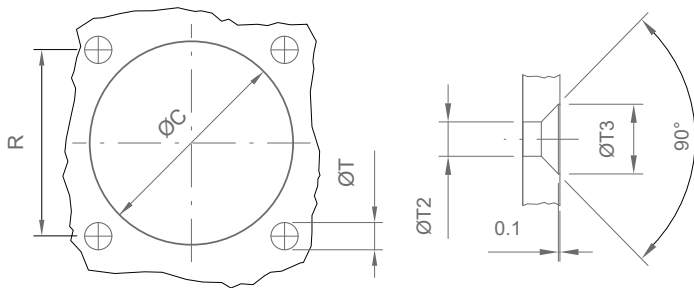
# Tourline 25 Way Speaker Connectors

## Size 32- 25 Way Panel Mount Receptacle

## Size 32- 25 Way Panel Mount Plug



## Panel Cut Out Dimensions



Shell size	R ±0.1	ØC ±0.2	ØT Through holes*	ØT1 Countersunk holes**	ØT2 Countersunk holes**
32	44.5	48.5	5.5	4.3	8

\* Panel plugs only \*\* Panel mount receptacles only

## Part Number Explanation

TL32B25 L F 06 SD PG36 Gland (for Ø24mm - Ø32mm)\*  
supplied as standard on cable mount connectors

Tourline 32/25 Series	Connector Type	Contact Type	Shell Type	Contact Termination (Silver Plated)**
	Inline connector L	Female F	Panel mount w/out nut 02	Standard solder SD
	Panel connector P	Male M	Panel mount with nut 26	Crimp - 2.5mm <sup>2</sup> CR
			Cable connector w/out nut 01	Crimp - 4mm <sup>2</sup> CR-30
			Cable connector with nut 06	

\* Contact sales office for alternative glands

\*\* Contacts are also available with gold plating contact sales office for more information

## Electrical Data

Contact Size	Maximum Current	Rated Current	Max. Voltage Drop	Rated Voltage	Rated Voltage	Dielectric Strength	Min Flashover
	A	A	mV	Vac	Vdc	Vac	Vac
20	41	23	42	500	700	2000	2800