

LISTA DE CÓDIGOS

CODE LIST

CODE CÓDIGO	Pág.	CODE CÓDIGO	Pág.	CODE CÓDIGO	Pág.	CODE CÓDIGO	Pág.	CODE CÓDIGO	Pág.
A-BNC-00-50	31	A-BNC-10P109-50	11	A-BNC-20C54-50	15	A-BNC-25C18-50-A	22	A-BNC-26C50-50	23
-00-75	31	-11C16-75	12	-20C59-75	15	-25C25-75	20	-26C50-50-A	25
-02-50	32	-11C18-50	12	-20C59-75-H	16	-25C25-75-A	22	-26C50-50-B	24
-02-50-A	32	-11C25-75	12	-20C60-75	15	-25C25-75-B	20	-26C50A-50	23
-02-50-C	32	-11C25A-50	12	-20C60-75-H	16	-25C25-75-H	21	-26C50A-50-A	25
-02-75	32	-11C26-50	12	-20C61-75	15	-25C25A-50	20	-26C50A-50-B	24
-02-75-A	32	-11C26B-75	12	-20C61-75-H	16	-25C25A-50-A	22	-26C54-50	23
-02-75-B	32	-11C27-75	12	-20C61B-75	15	-25C26-50	20	-26C54-50-A	25
-03-50	31	-11C31-75	12	-20C61B-75-H	16	-25C26-50-A	22	-26C54-50-B	24
-03-75	31	-11C35-75	12	-20C61D-50	15	-25C26-50-B	20	-26C59-75	23
-10C16-75	9	-11C36-75	12	-20C67-75	15	-25C26B-75	20	-26C59-75-A	25
-10C16-75-H	10	-11C36A-75	12	-20C67-75-H	16	-25C26B-75-A	22	-26C59-75-B	24
-10C18-50	9	-11C44-75	12	-20C68-75	15	-25C26B-75-H	21	-26C60-75	23
-10C25-75	9	-11C44A-75	12	-20C68-75-H	16	-25C27-75	20	-26C60-75-A	25
-10C25-75-H	10	-11C45-75	12	-20C74-75	15	-25C27-75-A	22	-26C60-75-B	24
-10C25-75-B	9	-11C47-75	12	-20C74-75-H	16	-25C27-75-H	21	-26C61-75	23
-10C25A-50	9	-11C50-50	12	-20C76-50	15	-25C27-75-B	20	-26C61-75-A	25
-10C26-50	9	-11C50A-50	12	-20C76A-50	15	-25C31-75-H	21	-26C61-75-B	24
-10C26-50-A	9	-11C54-50	12	-20C77-75	15	-25C35-75	20	-26C61B-75	23
-10C26B-75	9	-11C59-75	12	-20C77-75-H	16	-25C35-75-A	22	-26C61B-75-A	25
-10C26B-75-H	10	-11C60-75	12	-20P25-75	16	-25C35-75-H	21	-26C61B-75-B	24
-10C27-75	9	-11C61-75	12	-20P25A-50	16	-25C36-75-H	21	-26C61D-50	23
-10C27-75-A	9	-11C61B-75	12	-20P26-50	16	-25C39-75-H	21	-26C61D-50-A	25
-10C27-75-H	10	-11C61D-50	12	-20P26B-75	16	-25C44-75-H	21	-26C61D-50-B	24
-10C31-75-H	10	-11C67-75	13	-20P50-50	16	-25C44A-75	20	-26C67-75	26
-10C35-75	9	-11C68-75	13	-20P50A-50	16	-25C44A-75-A	22	-26C67-75-A	27
-10C35-75-H	10	-11C74-75	13	-20P54-50	16	-25C44A-75-H	21	-26C68-75	26
-10C36-75-H	10	-11C76-50	13	-20P61-75	16	-25C45-75	20	-26C68-75-A	27
-10C36A-75	9	-11C76A-50	13	-20P61D-50	16	-25C45-75-A	22	-26C74-75	26
-10C36A-75-H	10	-11C77-75	13	-22C16-75	17	-25C45-75-H	21	-26C74-75-A	27
-10C39-75	9	-11C84-75	13	-22C16-75-H	18	-25C47-75	20	-26C84-75	26
-10C39-75-H	10	-11C88-75	13	-22C18-50	17	-25C47-75-A	22	-26C84-75-A	27
-10C44-75	9	-11C99-50	13	-22C25-75	17	-25C47-75-H	21	-26C88-75	26
-10C44-75-H	10	-11C101-50	13	-22C25-75-A	17	-25C50-50	20	-26C88-75-A	27
-10C44A-75	9	-11C102-75	13	-22C25-75-H	18	-25C50-50-A	22	-26C99-50	26
-10C44A-75-H	10	-11C103-50	13	-22C25A-50	17	-25C50A-50	20	-26C99-50-A	27
-10C45-75	9	-11C103A-75	13	-22C26B-75	12	-25C50A-50-A	22	-26C101-50	26
-10C45-75-H	10	-11C103D-50	13	-22C25A-50	12	-25C54-50	20	-26C101-50-A	27
-10C47-75	9	-11C108-50	13	-22C26-50	12	-25C54-50-A	22	-26C102-75	26
-10C47-75-H	10	-11C108A-75	13	-22C26-50-A	17	-25C59-75	20	-26C102-75-A	27
-10C50-50	9	-11C109-50	13	-22C26B-75	17	-25C59-75-A	22	-26C103-50	26
-10C50A-50	9	-11P25-75	14	-22C26B-75-H	18	-25C59-75-H	21	-26C103-50-A	27
-10C54-50	9	-11P25A-50	14	-22C27-75	17	-25C60-75	20	-26C103A-75	26
-10C59-75	9	-11P26-50	14	-22C27-75-A	17	-25C60-75-A	22	-26C103A-75-A	27
-10C59-75-H	10	-11P26B-75	14	-22C27-75-H	18	-25C60-75-A	21	-26C103D-50	26
-10C60-75	9	-11P27-75	14	-22C31-75-H	18	-25C61-75	20	-26C103D-50-A	27
-10C60-75-H	10	-11P50-50	14	-22C35-75	17	-25C61-75-A	22	-26C108-50	26
-10C61-75	9	-11P50A-50	14	-22C35-75-H	18	-25C61-75-H	21	-26C108-50-A	27
-10C61-75-H	10	-11P59-75	14	-22C36-75-H	18	-25C61B-75	20	-26C108A-75	26
-10C61B-75	9	-11P60-75	14	-22C36A-75-H	18	-25C61B-75-A	22	-26C108A-75-A	27
-10C61B-75-H	10	-11P61-75	14	-22C39-75-H	18	-25C61B-75-H	21	-26C109-50	26
-10C61D-50	9	-11P61B-75	14	-22C44-75-H	18	-25C61D-50	20	-26C109-50-A	27
-10C67-75	9	-11P61D-50	14	-22C44A-75	17	-25C61D-50-A	22	-26P25-75	29
-10C67-75-H	10	-11P101-50	14	-22C44A-75-H	18	-25TF-50	29	-26P25-75-A	29
-10C68-75	9	-11P102-75	14	-22C45-75	17	-25TF-50-A	29	-26P25A-50	29
-10C68-75-H	10	-11P103-50	14	-22C45-75-H	18	-25TF-50-C	29	-26P25A-50-A	29
-10C74-75	9	-11P103A-75	14	-22C47-75	17	-25TF-75	29	-26P26-50	29
-10C74-75-H	10	-11P103D-50	14	-22C47-75-H	18	-25TF-75-A	29	-26P26-50-A	29
-10C76-50	9	-11P108-50	14	-22C50-50	17	-25TF-75-C	29	-26P26B-75	29
-10C76A-50	9	-11P108A-75	14	-22C50A-50	17	-26C16-75	18	-26P26B-75-A	29
-10C77-75	9	-11P109-50	14	-22C54-50	17	-26C16-75-A	17	-26P50-50	29
-10C77-75-H	10	-15TF-50	29	-22C59-75	17	-26C16-75-B	16	-26P50-50-A	29
-10C84-75	9	-15TF-75	29	-22C59-75-H	18	-26C18-50	18	-26P50A-50	29
-10C88-75	9	-20C16-75	15	-22C60-75	17	-26C18-50-A	17	-26P50A-50-A	29
-10C99-50	10	-20C16-75-H	16	-22C60-75-H	18	-26C18-50-B	19	-26P59-75	29
-10C101-50	10	-20C18-50	15	-22C61-75	17	-26C25-75	20	-26P59-75-A	29
-10C102-75	10	-20C25-75	15	-22C61-75-H	18	-26C25-75-A	19	-26P60-75	29
-10C103-50	10	-20C25-75-B	15	-22C61B-75	14	-26C25-75-B	20	-26P60-75-A	29
-10C103A-75	10	-20C25-75-H	16	-22C61B-75-H	18	-26C25A-50	19	-26P61-75	29
-10C103D-50	10	-20C25A-50	15	-22C61D-50	17	-26C25A-50-A	20	-26P61-75-A	29
-10C108-50	10	-20C26-50	15	-22C1-50	31	-26C25A-50-B	19	-26P61B-75	29
-10C108A-75	10	-20C26-50-A	15	-22P25-75	19	-26C26-50	23	-26P61B-75-A	29
-10C109-50	10	-20C26B-75	15	-22P25A-50	19	-26C26-50-A	25	-26P61D-50	29
-10P25-75	11	-20C26B-75-H	16	-22P26-50	19	-26C26-50-B	24	-26P61D-50-A	29
-10P25A-50	11	-20C27-75	15	-22P26B-75	19	-26C26B-75	23	-26P101-50	29
-10P26-50	11	-20C27-75-A	15	-22P27-75	19	-26C26B-75-A	25	-26P102-75	29
-10P26B-75	11	-20C27-75-H	16	-22P50-50	19	-26C26B-75-B	24	-26P103-50	29
-10P27-75	11	-20C31-75-H	16	-22P50A-50	19	-26C27-75	23	-26P103A-75	29
-10P50-50	11	-20C35-75	15	-22P59-75	19	-26C27-75-A	25	-26P103D-50	29
-10P50A-50	11	-20C35-75-H	16	-22P60-75	19	-26C27-75-B	24	-26P108-50	29
-10P59-75	11	-20C36-75-H	16	-22P61-75	19	-26C35-75	23	-26P108A-75	29
-10P60-75	11	-20C36A-75-H	16	-22P61B-75	19	-26C35-75-A	25	-26P109-50	29
-10P61-75	11	-20C39-75-H	16	-22P61D-50	19	-26C35-75-B	24	-26TF-50	30
-10P61B-75	11	-20C44-75-H	16	-22TF-50	30	-26C44A-75	23	-26TF-50-A	30
-10P61D-50	11	-20C44A-75	15	-22TF-50-A	30	-26C44A-75-A	25	-26TF-50-B	30
-10P101-50	11	-20C44A-75-H	16	-22TF-75	30	-26C44A-75-B	24	-26TF-75	30
-10P102-75	11	-20C45-75	15	-22TF-75-A	30	-26C45-75	23	-26TF-75-A	30
-10P103-50	11	-20C45-75-H	16	-23C1-50	31	-26C45-75-A	25	-26TF-75-B	30
-10P103A-75	11	-20C47-75	15	-25C16-75	20	-26C45-75-B	24	-31-50	32
-10P103D-50	11	-20C47-75-H	16	-25C16-75-A	22	-26C47-75	23	-31-75	32
-10P108-50	11	-20C50-50	15	-25C16-75-H	21	-26C47-75-A	25	-40-50	33
-10P108A-75	11	-20C50A-50	15	-25C18-50	20	-26C47-75-B	24	-40-75	33

LISTA DE CÓDIGOS

CODE LIST

<i>CODE</i>	
CÓDIGO	Pág.
A-BNC-44-50	33
-44-75	33
-50-00	34
-50-00-A	34
-51-00	34
-51-00-A	34
-52-50	34
-52-50-A	34
-52-75	34
-52-75-A	34
-53-50	34
-53-50-A	34
-53-75	34
-53-75-A	34
-54-50	35
-54-50-A	35
-54-75	35
-54-75-A	35
-55-50	35
-55-50-A	35
-55-75	35
-55-75-A	35
A-BNCI-10C18-50	39
-10C25A-50	39
-10C26-50	39
-10C50-50	39
-10C50A-50	39
-10C54-50	39
-10C61D-50	39
-15C18-50	40
-15C25A-50	40
-15C26-50	40
-15C50-50	40
-15C50A-50	40
-15C54-50	40
-15C61D-50	40
-20C18-50	37
-20C25A-50	37
-20C26-50	37
-20C50-50	37
-20C50A-50	37
-20C54-50	37
-20C61D-50	37
-20C76-50	38
-20C99-50	38
-20C101-50	38
-20C103-50	38
-20C103D-50	38
-20C108-50	38
-20C109-50	38

Interconexión	<i>Interface</i>	7
Descripción	<i>Description</i>	7,8
Características	<i>Característica</i>	
- Eléctricas	<i>Electrical</i>	8
- Mecánicas	<i>Mechanical</i>	8
- Ambientales	<i>Environmental</i>	8
Conectores para cable flexible	<i>Connectors for flexible cable</i>	
- macho crimp	<i>crimp type plug</i>	
- recto	<i>straight</i>	9,10
- 90°	<i>90°</i>	12,13
- Hembra crimp	<i>crimp type jack</i>	
- recta	<i>straight</i>	15,16,
- panel	<i>panel</i>	
- pletina cuadrada	<i>square flange</i>	17,18
- montaje frontal	<i>front mounting</i>	20...22
- montaje trasero (estanco)	<i>rear mounting (waterproof)</i>	23...27
- macho prensaestopas	<i>clamp type plug</i>	
- recto	<i>straight</i>	11
- 90°	<i>90°</i>	14
- hembra prensaestopas	<i>clamp type jack</i>	
- recta	<i>straight</i>	16
- panel	<i>panel</i>	
- pletina cuadrada	<i>square flange</i>	19
- montaje trasero (estanco)	<i>rear mounting (waterproof)</i>	28
Conectores con contacto central soldable	<i>Connectors with solder inner contact</i>	
- macho	<i>plug</i>	
- panel	<i>receptacle</i>	
- montaje frontal	<i>front mounting</i>	29
- hembra	<i>jack</i>	
- panel	<i>receptacle</i>	
- pletina cuadrada	<i>square flange</i>	30
- montaje frontal	<i>front mounting</i>	29
- montaje fronta (panel aislado)	<i>front mounting (insolated panel)</i>	29
- montaje trasero (estanco)	<i>rear mounting (waterproof)</i>	30
- montaje trasero (panel aislado)	<i>rear mounting (insulater panel)</i>	30
Conectores para montar en circuito impreso	<i>Connectors for printed circuit board mounting</i>	
- hembra	<i>jack</i>	
- recto	<i>straight</i>	31
- 90°	<i>90°</i>	31
Adaptadores	<i>Adapters</i>	
- prolongación	<i>prolongation</i>	
- hembra-hembra	<i>jack-jack</i>	31
- macho-macho	<i>plug-plug</i>	31
- pasamuros hembra-hembra	<i>jack-jack panel adapter</i>	32
- adaptador en T	<i>T adaptor</i>	
- hembra-macho-hembra	<i>jack-plug-jack</i>	33
- hembra-hembra-hembra	<i>jack-jack-jack</i>	33
- adaptador a 90°	<i>90° adaptor</i>	32
Protectores	<i>Protectives</i>	
- tapón para hembra	<i>cap for jack</i>	34
- tapón para macho	<i>cap for plug</i>	34
Terminaciones (cargas)	<i>Terminations (loads)</i>	
- macho	<i>plug</i>	
- 50 1.000MHz 0.5W		35
- 75 1.000MHz 0.5W		35
- hembra	<i>jack</i>	
- 50 1.000MHz 0.5W		35
- 75 1.000MHz 0.5W		35

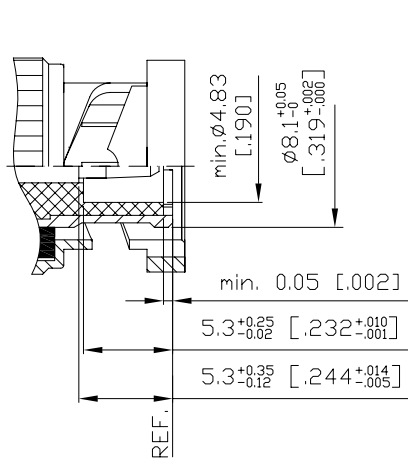
ÍNDICE *INDEX*

N INVERTIDO *N REVERSE*

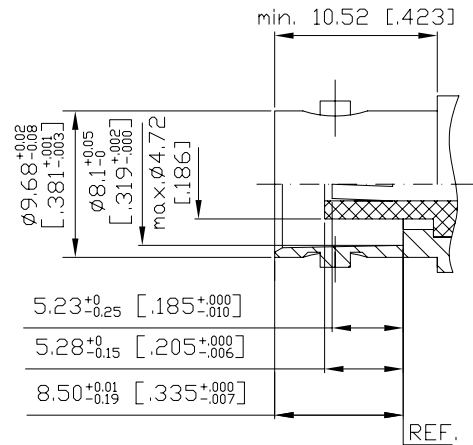
Interconexión <i>Interface</i>	36
Conectores para cable flexible <i>Connectors for flexible cable</i>	
- macho crimp recto <i>straight crimp type plug</i>	
- recto <i>straight</i>	37,38
- hembra crimp <i>crimp type jack</i>	
- recta <i>straight</i>	39
- panel <i>receptacle</i>	40

**DIMENSIONES INTERCONEXIÓN
IEC 169-8**

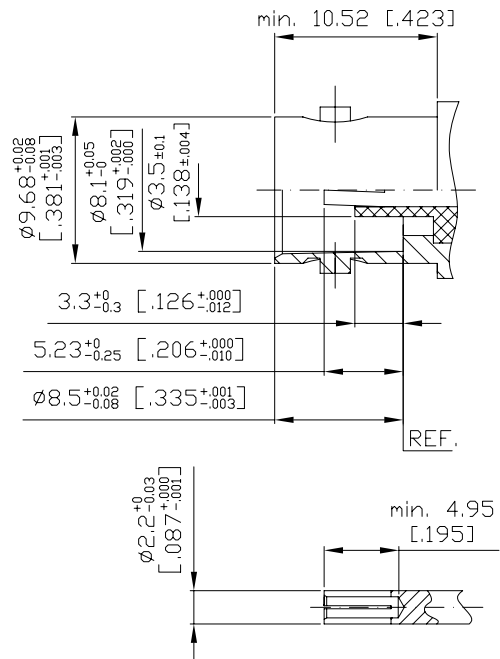
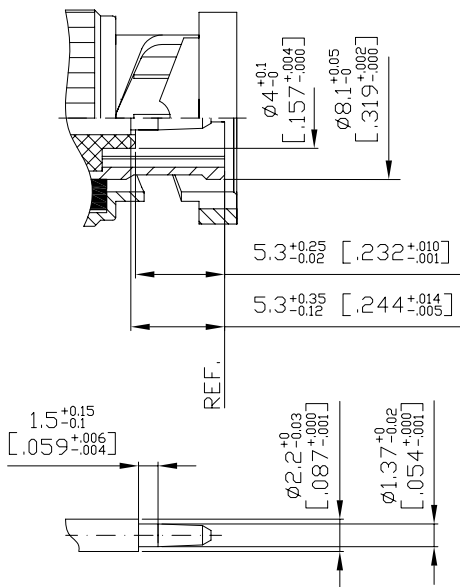
**INTERFACE DIMENSIONS
IEC 169-8**



50 Ω



75 Ω



Los conectores de la serie BNC (Bayonet Neil Concelman) pertenecen a una de las series más utilizadas por su facilidad de conexión-desconexión, mediante sistema a bayoneta. Sus aplicaciones son múltiples: instrumentación, comunicación de datos, sistemas de seguridad, broadcast, sistemas de radio..., tanto en 50 Ω como en 75 Ω , pudiéndose interconectar entre ambos. Para 50 Ω , podemos utilizarlo hasta frecuencias superiores a 4 GHz, y para 75 Ω . sobrepasa 1.5 GHz, obteniendo óptimos resultados de VSWR.

Disponemos de un programa muy flexible de fabricación, lo cual nos permite disponer de innumerables conectores para cables standard o especiales (flexibles, semirígidos,...)

BNC series (Bayonet Neil Concelman) are the most popular connector series, because of their simplicity connection-disconnection by bayonet system. They have many applications: measurement instruments, data communications, safety systems, broadcast, radio systems,...as many 50 Ω as 75 Ω . Both of them can be interconnected. It can be used over 4 GHz, for 50 Ω version and over 1.5 GHz for 75 Ω , reaching very good VSWR results.

We have a very flexible manufacture programme, which allows us to have a many versions, for standard or special cables (flexible, semirigid,...)

Distintas versiones de forma: recto, acodado, panel, estanco, para circuito impreso (PCB),...Y en cuanto al montaje del cable, disponemos de versiones soldadas, prensa-estopa, crimp,...

normativa: IEC 169-8.

Different shaped versions: straight, 90° angle, waterproof, panel, for printed circuit board (PCB),... About cable assembly, several types are available: soldered, clamp, crimp type,....

standard: IEC 169-8.

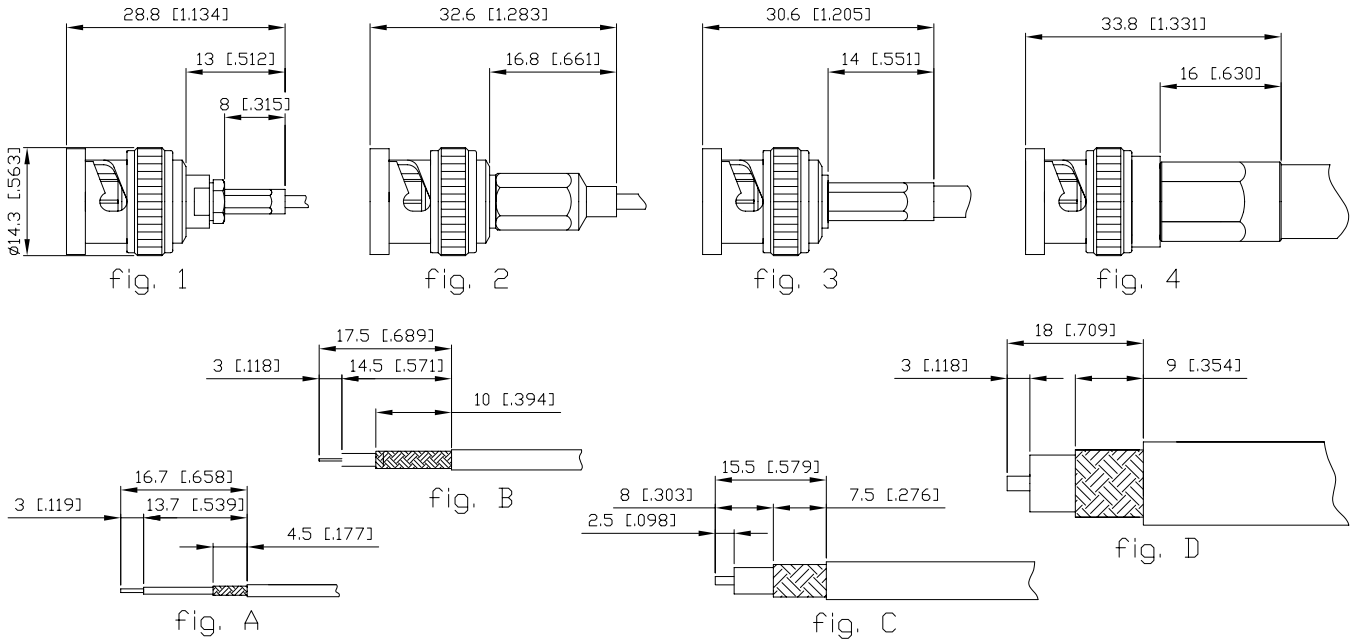
características eléctricas / electrical characteristics	
impedancia característica / <i>characteristic impedance</i>	50 Ω or 75 Ω
margen de frecuencia utilizable (recomendado) / <i>useful frequency range (recommended)</i>	0...4 GHz (50 Ω) 0...1.5 GHz (75 Ω)
margen de frecuencia máxima / <i>maximum frequency range</i>	0...10 GHz (50 Ω) 0...4 GHz (75 Ω)
VSWR (depende de la frecuencia, del cable utilizado para el test y del tipo de conector / <i>it depends on frequency, cable used for testing and kind of connector</i>)	para un conector recto / <i>for a straight connector:</i> < 1.15 (1.5 GHz) para un conector a 90° / <i>for a 90° connector:</i> < 1.2 (1.5 GHz)
pérdida de inserción / <i>insertion loss</i>	<0.1 dB (1 GHz)
RF-leakage	>55 dB
resistencia aislante / <i>insulator resistance</i>	> 5 GΩ
resistencia contacto interior / <i>inner contact resistance</i>	< 1.5 mΩ
resistencia contacto exterior / <i>outer contact resistance</i>	< 1 mΩ
potencia máxima / <i>maximum power</i>	80 W (1GHz)
voltaje de trabajo / <i>working voltage</i>	500 Vrms
voltaje de pico / <i>peak voltage</i>	1500 Vrms

características mecánicas / mechanical characteristics	
durabilidad / <i>durability</i>	> 500 ciclos conexión / <i>> 500 matings</i>
par aplicable al racord / <i>coupling nut torque</i>	10...25 Nm
material aislante / <i>insulator material</i>	PTFE
material contactos interiores / <i>inner contacts material.</i>	macho / <i>male:</i> CuZn39Pb3 hembra / <i>female:</i> CuBe2
material cuerpos exteriores / <i>outer bodies material</i>	CuZn39Pb3
juntas estanqueidad / <i>gaskets</i>	silicona / <i>silicone</i>
acabados / <i>finish plating</i>	cuerpos exteriores / <i>outer bodies :</i> Ni 5μ contactos interiores / <i>inner contacts:</i> Au 1μ

características ambientales / environmental characteristics	
margen de temperatura / <i>temperature range</i>	-65°C...+165°C
categoría climática IEC / <i>IEC climatic category</i>	55/155/21
choque térmico / <i>thermal shock</i>	MIL-STD-202/107-B
resistencia a la humedad / <i>moisture resistance</i>	MIL-STD-202/106-B
resistencia a la corrosión / <i>corrosion resistance</i>	MIL-STD-202/101-B
resistencia a la vibración / <i>vibration resistance</i>	MIL-STD-202/204-B

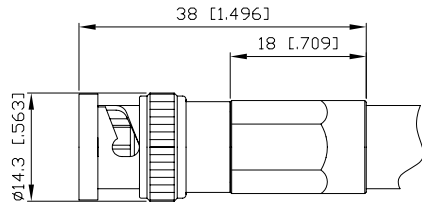
Conectores para cable flexible
macho recto crimp

Connectors for flexible cable
straight crimp type plug

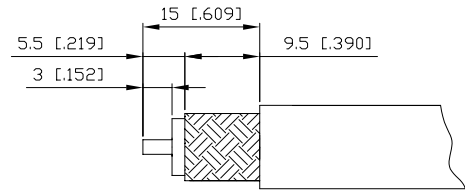


CABLE CABLE	INSTRUC. INSTRUC.	Ω	ALFA'R CODE CÓDIGO ALFA'R	FIG. FIG.	CRIMPING TOOL HERRAMIENTA CRIMP	
TX-20	INS 8	75	A-BNC-10C16-75	1 A	A-EIN-C-1-C61	
RG-178; RG-196		50	A-BNC-10C18-50			
RG-179	INS 36	75	A-BNC-10C25-75	2 B	A-EIN-C-1-641	
		--	A-BNC-10C25-75-B			
RG-316	INS 8	50	A-BNC-10C25A-50	1 A	A-EIN-C-1-641	
RG-174; RG-188	INS 36	--	A-BNC-10C26-50-A	2 B	A-EIN-C-1-931	
RG-187; TZC-75101	INS 8	75	A-BNC-10C26B-75	1 A	A-EIN-C-1-641	
FLEX-2	INS 36	--	A-BNC-10C27-75			
		--	A-BNC-10C27-75-A	2 B		
FLEX-3	INS 9	75	A-BNC-10C35-75	3 C	A-EIN-C-1-931	
TZC-75024; CM-195 DM; L910-34			A-BNC-10C36A-75			
L910-39			A-BNC-10C39-75			
0.6-2.8; VK-5			A-BNC-10C44-75			
S 0.4/2.5			A-BNC-10C44A-75			
FLEX-4			A-BNC-10C45-75			
FLEX-5			A-BNC-10C47-75			
RG-58; RG-141; RG-303		50	A-BNC-10C50-50		A-EIN-C-1-931 A-EIN-C-1-341	
RG-142; RG-400			A-BNC-10C50A-50			
RG-223			A-BNC-10C54-50			
ST-214		75	A-BNC-10C59-75			A-EIN-C-1-51
FLEX-6			A-BNC-10C60-75			
RG-59			A-BNC-10C61-75			
0.8-0.7; 1505A; 9889; VK-6		50	A-BNC-10C61B-75			
LMR-240	A-BNC-10C61D-50					
TF-2240	75	A-BNC-10C67-75				
RG-6 CATV		A-BNC-10C68-75				
FLEX-7		A-BNC-10C74-75				
5D-FB	50	A-BNC-10C76-50				
LMR-300		A-BNC-10C76A-50				
VK-49		A-BNC-10C77-75				
RG-6 MIL	75	A-BNC-10C84-75				
1.0/6.6/8.8		A-BNC-10C88-75	4 D			

macho recto crimp



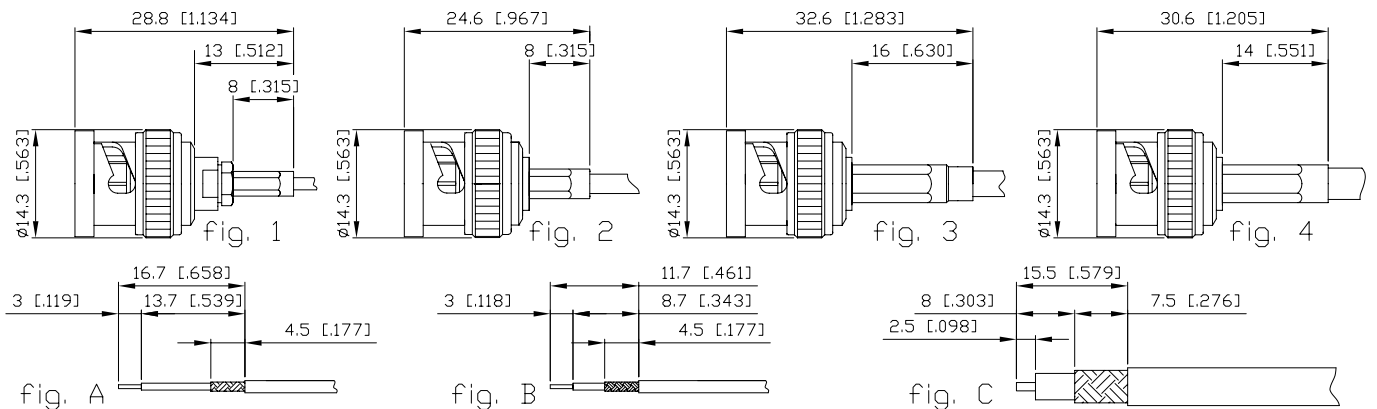
straight crimp type plug



CABLE CABLE	INSTRUC. INSTRUC.	Ω	ALFA'R CODE CÓDIGO ALFA'R	CRIMPING TOOL HERRAMIENTA CRIMP
RG-393	INS 10	50	A-BNC-10C99-50	A-EIN-C-2-D2
RG-8			A-BNC-10C101-50	
CATV 14/8		75	A-BNC-10C102-75	A-EIN-C-2-D1
RG-213		50	A-BNC-10C103-50	A-EIN-C-2-D2
RG-11		75	A-BNC-10C103A-75	A-EIN-C-2-D1
LMR-400; RG-165		50	A-BNC-10C103D-50	A-EIN-C-2-D2
RG-214		A-BNC-10C108-50		
RG-216		75	A-BNC-10C108A-75	A-EIN-C-2-D1
RG-225		50	A-BNC-10C109-50	A-EIN-C-2-D2

macho crimp HD-3GHz 75 Ω

crimp type plug HD-3GHz 75 Ω



CABLE CABLE	INSTRUC. INSTRUC.	ALFA'R CODE CODIGO ALFA'R	FIG. FIG.	CRIMPING TOOL HERRAMIENTA CRIMP
TX-20	INS 08	A-BNC-10C16-75-H	1 A	A-EIN-C-1-C6K
RG179	INS 09	A-BNC-10C25-75-H	2 B	
RG187		A-BNC-10C26B-75-H		
FLEX-2		A-BNC-10C27-75-H	3	A-EIN-C-1-96K
ST-212	A-BNC-10C31-75-H			
FLEX-3	A-BNC-10C35-75-H			
BT-3002	A-BNC-10C36-75-H	4 C	A-EIN-C-1-93K	
TZC-75024; CM-195 DM; L910-34	A-BNC-10C36A-75-H			
L910-39	A-BNC-10C39-75-H			
0.6/2.8; VK-5	A-BNC-10C44-75-H	4 C	A-EIN-C-1-43K	
S 0.4/2.5	A-BNC-10C44A-75-H			
FLEX-4	A-BNC-10C45-75-H			
FLEX-5	A-BNC-10C47-75-H	4 C	A-EIN-C-1-5K	
ST-214	A-BNC-10C59-75-H			
FLEX-6	A-BNC-10C60-75-H			
RG-59	A-BNC-10C61-75-H	4 C	A-EIN-C-1-5K	
0.8/0.7; 1505A; 9889; VK-6	A-BNC-10C61B-75-H			
TF-2240	A-BNC-10C67-75-H			
RG-6 CATV	A-BNC-10C68-75-H	4 C	A-EIN-C-1-5K	
FLEX-7	A-BNC-10C74-75-H			
VK-49	A-BNC-10C77-75-H			

macho recto prensaestopas

straight clamp type plug

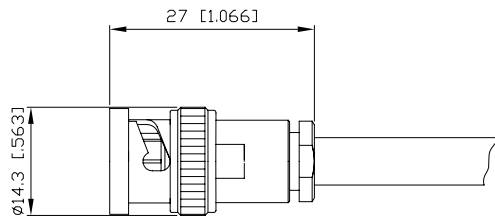


fig.1

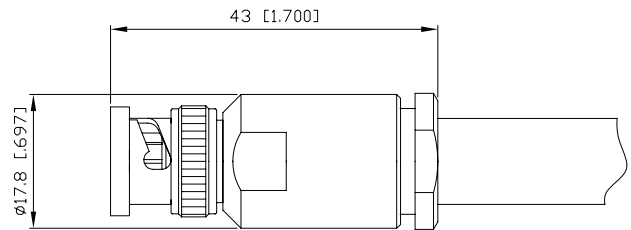


fig.2

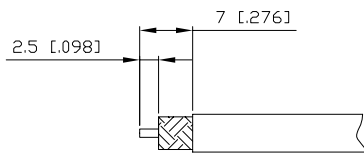


fig.A

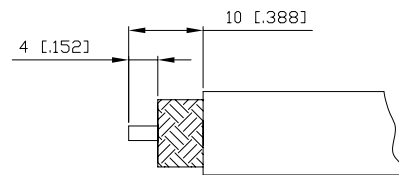
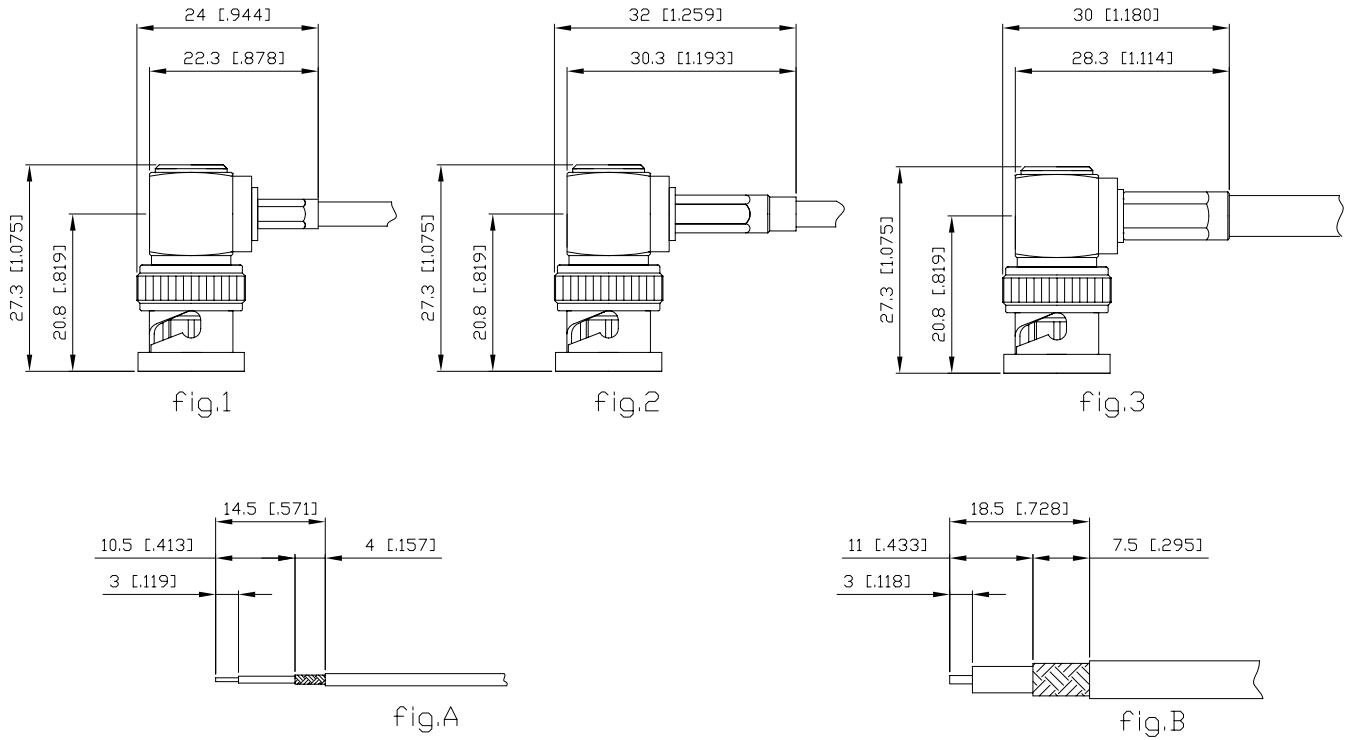


fig.B

CABLE CABLE	INSTRUC. INSTRUC.	Ω	ALFA'R CODE CÓDIGO ALFA'R	FIG. FIG.	SPANNER LLAVE FIJA			
RG-179	INS 12	75	A-BNC-10P25-75	1	A			
RG-316		50	A-BNC-10P25A-50					
RG-174; RG-188			A-BNC-10P26-50					
RG-187		75	A-BNC-10P26B-75					
FLEX-2			A-BNC-10P27-75					
RG-58; RG-141; RG-303		50	A-BNC-10P50-50					
RG-142; RG-400			A-BNC-10P50A-50					
ST-214		75	A-BNC-10P59-75					
FLEX-6			A-BNC-10P60-75					
RG-59			A-BNC-10P61-75					
0.8-0.7; 1505A; 9889; VK-6			A-BNC-10P61B-75					
LMR-240			A-BNC-10P61D-50					
RG-8		INS 13	50			A-BNC-10P101-50	2	B
CATV 14/8			75			A-BNC-10P102-75		
RG-213	50		A-BNC-10P103-50					
RG-11	75		A-BNC-10P103A-75					
LMR-400; RG-165	50		A-BNC-10P103D-50					
RG-214			A-BNC-10P108-50					
RG-216	75		A-BNC-10P108A-75					
RG-225	50		A-BNC-10P109-50					

macho 90° crimp

90° crimp type plug



CABLE CABLE	INSTRUC. INSTRUC.	Ω	ALFA'R CODE CÓDIGO ALFA'R	FIG. FIG.	CRIMPING TOOL HERRAMIENTA CRIMP			
TX-20	INS 11	75	A-BNC-11C16-75	1	A			
RG-178; RG-196		50	A-BNC-11C18-50					
RG-179		75	A-BNC-11C25-75					
RG-316		50	A-BNC-11C25A-50					
RG-174; RG-188			A-BNC-11C26-50					
RG-187; TZC-75101			A-BNC-11C26B-75					
FLEX-2		75	A-BNC-11C27-75	2	B			
ST-212			A-BNC-11C31-75					
FLEX-3			A-BNC-11C35-75					
BT-3002		75	A-BNC-11C36-75	2		B		
TZC-75024; CM-195 DM; L910-34			A-BNC-11C36A-75					
0.6/2.8; VK5			A-BNC-11C44-75					
S 0.4/2.5		75	A-BNC-11C44A-75	2			B	
FLEX-4			A-BNC-11C45-75					
FLEX-5			A-BNC-11C47-75					
RG-58; RG-141; RG-303		50	A-BNC-11C50-50	3				B
RG-142; RG-400			A-BNC-11C50A-50					
RG-223			A-BNC-11C54-50					
ST-214		75	A-BNC-11C59-75	3	B			
FLEX-6			A-BNC-11C60-75					
RG-59			A-BNC-11C61-75					
0.8-0.7; 1505A; 9889; VK-6		75	A-BNC-11C61B-75	3		B		
LMR-240			A-BNC-11C61D-50					
		50	A-BNC-11C61D-50					

macho 90° crimp

90° crimp type plug

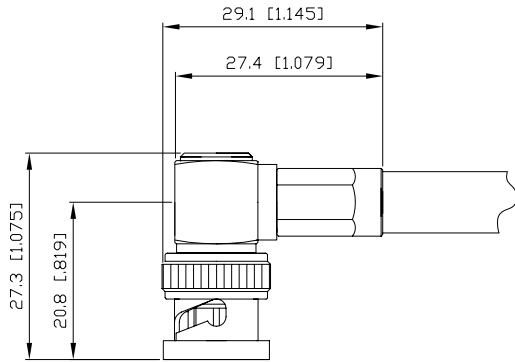


fig.1

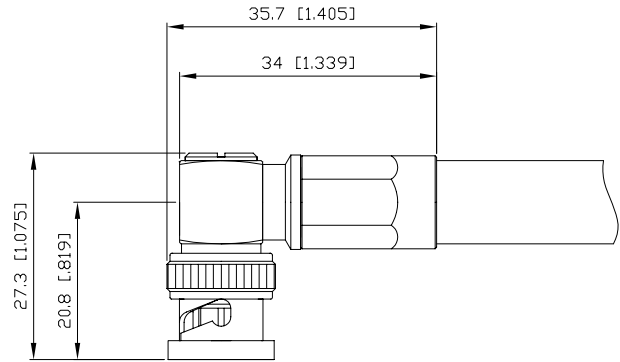


fig.2

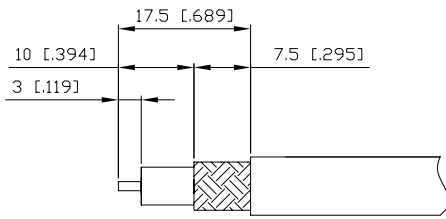


fig.A

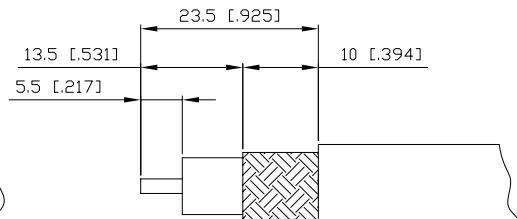
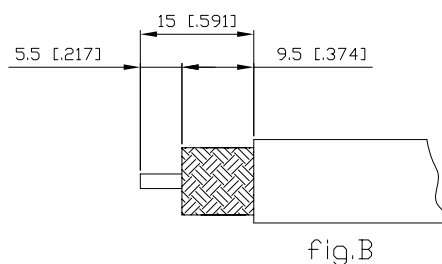
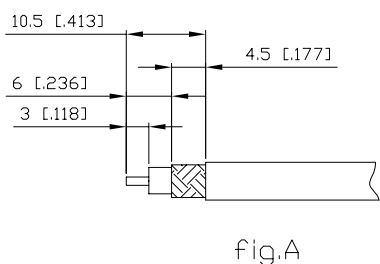
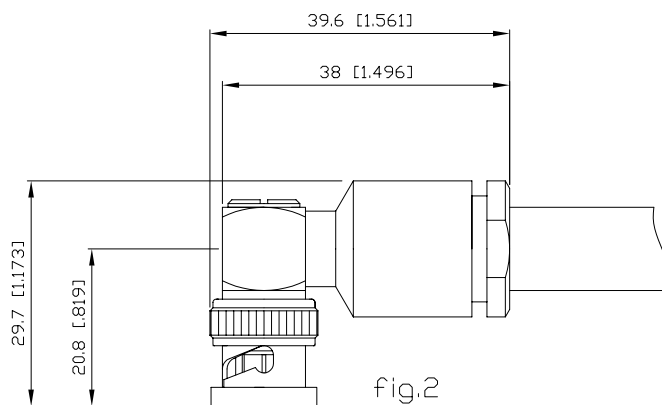
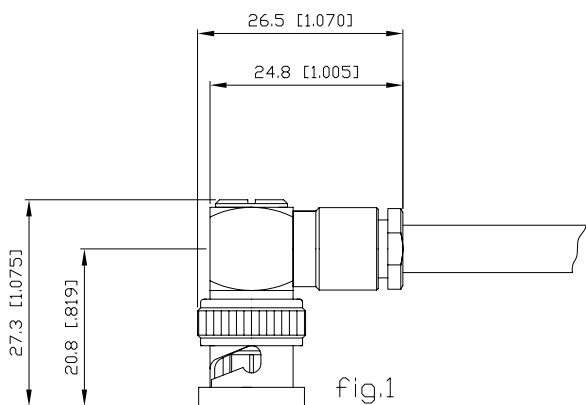


fig.B

CABLE CABLE	INSTRUC. INSTRUC.	Ω	ALFA'R CODE CÓDIGO ALFA'R	FIG. FIG.	CRIMPING TOOL HERRAMIENTA CRIMP
TF-2240 (TFC-T10)	INS 11	75	A-BNC-11C67-75	1	A
RG-6 CATV			A-BNC-11C68-75		
FLEX-7			A-BNC-11C74-75		
5D-FB		50	A-BNC-11C76-50		
LMR-300		A-BNC-11C76A-50			
VK-49		75	A-BNC-11C77-75		
RG-6 MIL		75	A-BNC-11C84-75	2	B
1.0/6.6/8.8		75	A-BNC-11C88-75		
RG-393		50	A-BNC-11C99-50		
RG-8		50	A-BNC-11C101-50		
CATV 14/8		75	A-BNC-11C102-75		
RG-213		50	A-BNC-11C103-50		
RG-11		75	A-BNC-11C103A-75		
LMR-400; RG-165		50	A-BNC-11C103D-50		
RG-214		50	A-BNC-11C108-50		
RG-216		75	A-BNC-11C108A-75		
RG-225		50	A-BNC-11C109-50		

macho 90° prensaestopas

90° clamp type plug



CABLE	INSTRUC.	Ω	ALFA'R CODE	FIG.
CABLE	INSTRUC.		CÓDIGO ALFA'R	FIG.
RG-179	INS 14	75	A-BNC-11P25-75	1 A
RG-316		50	A-BNC-11P25A-50	
RG-174; RG-188			A-BNC-11P26-50	
RG-187		75	A-BNC-11P26B-75	
FLEX-2			A-BNC-11P27-75	
RG-58; RG-141; RG-303		50	A-BNC-11P50-50	
RG-142; RG-400			A-BNC-11P50A-50	
ST-214		75	A-BNC-11P59-75	
FLEX-6			A-BNC-11P60-75	
RG-59			A-BNC-11P61-75	
0.8-0.7; 1505A; 9889; VK-6			A-BNC-11P61B-75	
LMR-240		50	A-BNC-11P61D-50	
RG-8			A-BNC-11P101-50	2 B
CATV 14/8		75	A-BNC-11P102-75	
RG-213		50	A-BNC-11P103-50	
RG-11		75	A-BNC-11P103A-75	
LMR-400; RG-165		50	A-BNC-11P103D-50	
RG-214			A-BNC-11P108-50	
RG-216		75	A-BNC-11P108A-75	
RG-225		50	A-BNC-11P109-50	

hembra recta crimp

straight crimp type jack

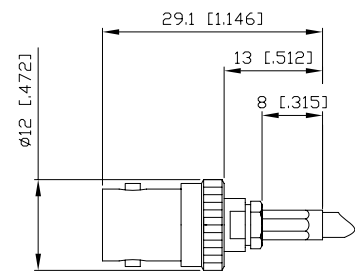


fig. 1

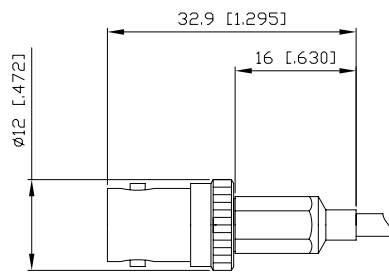


fig. 2

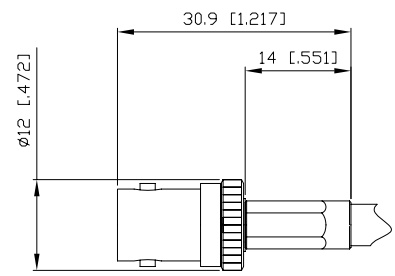


fig. 3

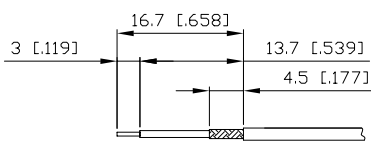


fig. A

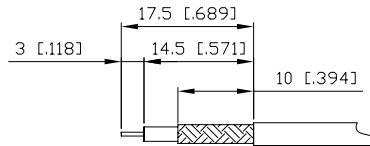


fig. B

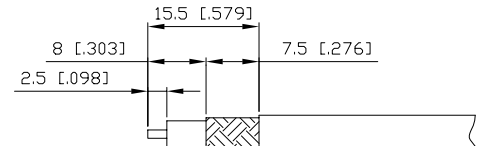
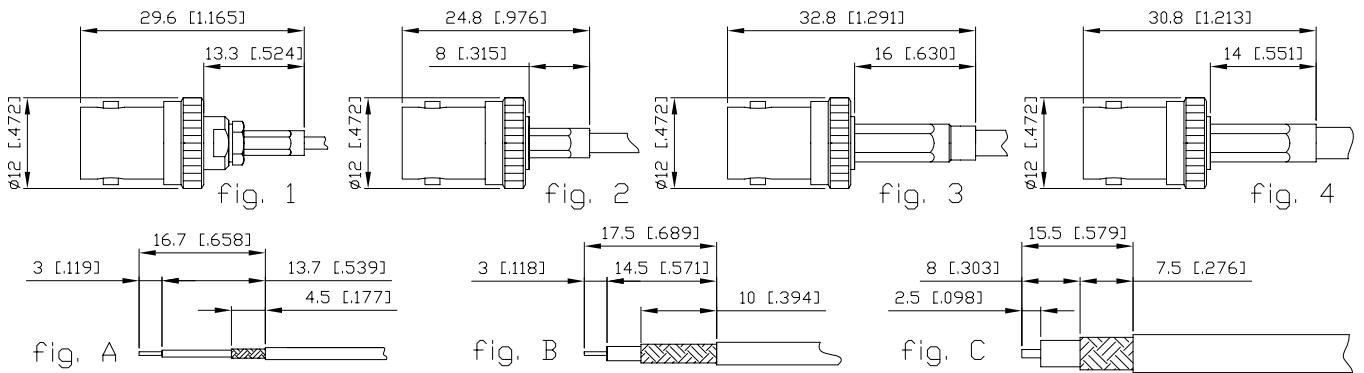


fig. C

CABLE CABLE	INSTRUC. INSTRUC.	Ω	ALFA'R CODE CÓDIGO ALFA'R	FIG. FIG.	CRIMPING TOOL HERRAMIENTA CRIMP		
TX-20	INS 8	75	A-BNC-20C16-75	1	A	A-EIN-C-1-C61	
RG-178; RG-196		50	A-BNC-20C18-50				
RG-179		75	A-BNC-20C25-75				
RG-316	INS 36	--	A-BNC-20C25-75-B	2	B	A-EIN-C-1-931	
RG-174; RG-188	INS 8	50	A-BNC-20C25A-50	1	A	A-EIN-C-1-641	
RG-187			A-BNC-20C26-50				
FLEX-2	INS 36	--	A-BNC-20C26-50-A	2	B	A-EIN-C-1-931	
FLEX-3	INS 8	75	A-BNC-20C26B-75	1	A	A-EIN-C-1-641	
S 0.4/2.5							A-BNC-20C27-75
FLEX-4							A-BNC-20C27-75-A
FLEX-5	INS 36	--	A-BNC-20C27-75-A	2	B	A-EIN-C-1-931	
RG-58; RG-141; RG-303	INS 9	50	A-BNC-20C35-75	3	C		
RG-142; RG-400							A-BNC-20C44A-75
RG-223							A-BNC-20C45-75
ST-214							A-BNC-20C47-75
FLEX-6							A-BNC-20C50-50
RG-59							A-BNC-20C50A-50
0.8-0.7; 1005A; 9889; VK-6		75	A-BNC-20C54-50				
LMR-240		50	A-BNC-20C59-75				
TF-2240		75	A-BNC-20C60-75				
RG-6 CATV		75	A-BNC-20C61-75				
FLEX-7		75	A-BNC-20C61B-75				
5D-FB		50	A-BNC-20C61D-50				
LMR-300		75	A-BNC-20C67-75				
VK-49		75	A-BNC-20C68-75				
			A-BNC-20C74-75				
			A-BNC-20C76-50			A-EIN-C-1-341	
			A-BNC-20C76A-50			A-EIN-C-1-51	
			A-BNC-20C77-75				

hembra crimp HD-3GHz 75Ω

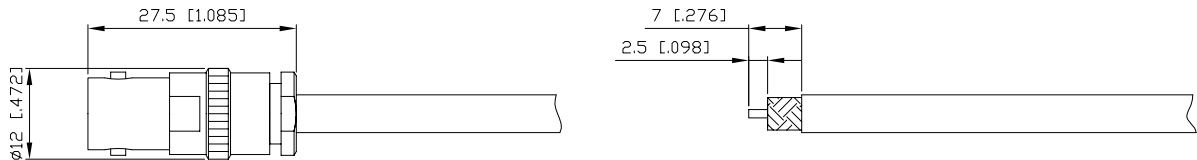
crimp type jack HD-3GHz 75Ω



CABLE CABLE	INSTRUC. INSTRUC.	ALFA'R CODE CÓDIGO ALFA'R	FIG. FIG.	CRIMPING TOOL HERRAMIENTA CRIMP
TX-20	INS 08	A-BNC-20C16-75-H	1 A	A-EIN-C-1-C6K
RG179	INS 09	A-BNC-20C25-75-H	2 B	
RG187		A-BNC-20C26B-75-H		
FLEX-2		A-BNC-20C27-75-H	3	A-EIN-C-1-96K
ST-212		A-BNC-20C31-75-H		
FLEX-3		A-BNC-20C35-75-H		
BT-3002		A-BNC-20C36-75-H	4 C	A-EIN-C-1-93K
TZC-75024; CM-195 DM; L910-34		A-BNC-20C36A-75-H		
L910-39		A-BNC-20C39-75-H		
0.6/2.8; VK-5		A-BNC-20C44-75-H		
S 0.4/2.5		A-BNC-20C44A-75-H		
FLEX-4		A-BNC-20C45-75-H		
FLEX-5		A-BNC-20C47-75-H		A-EIN-C-1-43K
ST-214	A-BNC-20C59-75-H			
FLEX-6	A-BNC-20C60-75-H			
RG-59	A-BNC-20C61-75-H			
0.8/0.7; 1505A; 9889; VK-6	A-BNC-20C61B-75-H			
TF-2240	A-BNC-20C67-75-H	A-EIN-C-1-5K		
RG-6 CATV	A-BNC-20C68-75-H			
FLEX-7	A-BNC-20C74-75-H			
VK-49	A-BNC-20C77-75-H			

hembra recta prensaestopas

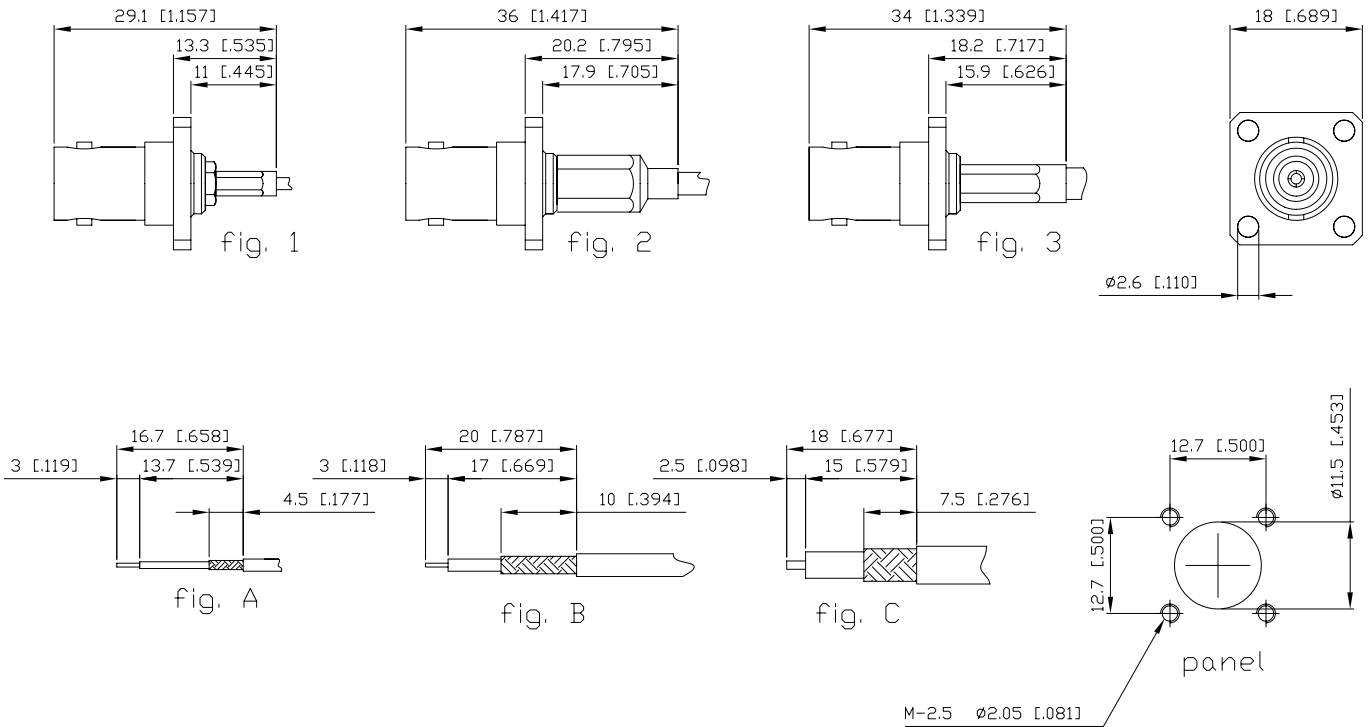
straight clamp type jack



CABLE CABLE	INSTRUC. INSTRUC.	Ω	ALFA'R CODE CÓDIGO ALFA'R
RG-179	INS 12	75	A-BNC-20P25-75
RG-316		50	A-BNC-20P25A-50
RG-174; RG-188			A-BNC-20P26-50
RG-187		75	A-BNC-20P26B-75
RG-58; RG-141; RG-303		50	A-BNC-20P50-50
RG-142; RG-400			A-BNC-20P50A-50
RG-223			A-BNC-20P54-50
RG-59		75	A-BNC-20P61-75
LMR-240		50	A-BNC-20P61D-50

hembra recta panel crimp
(pletina cuadrada)

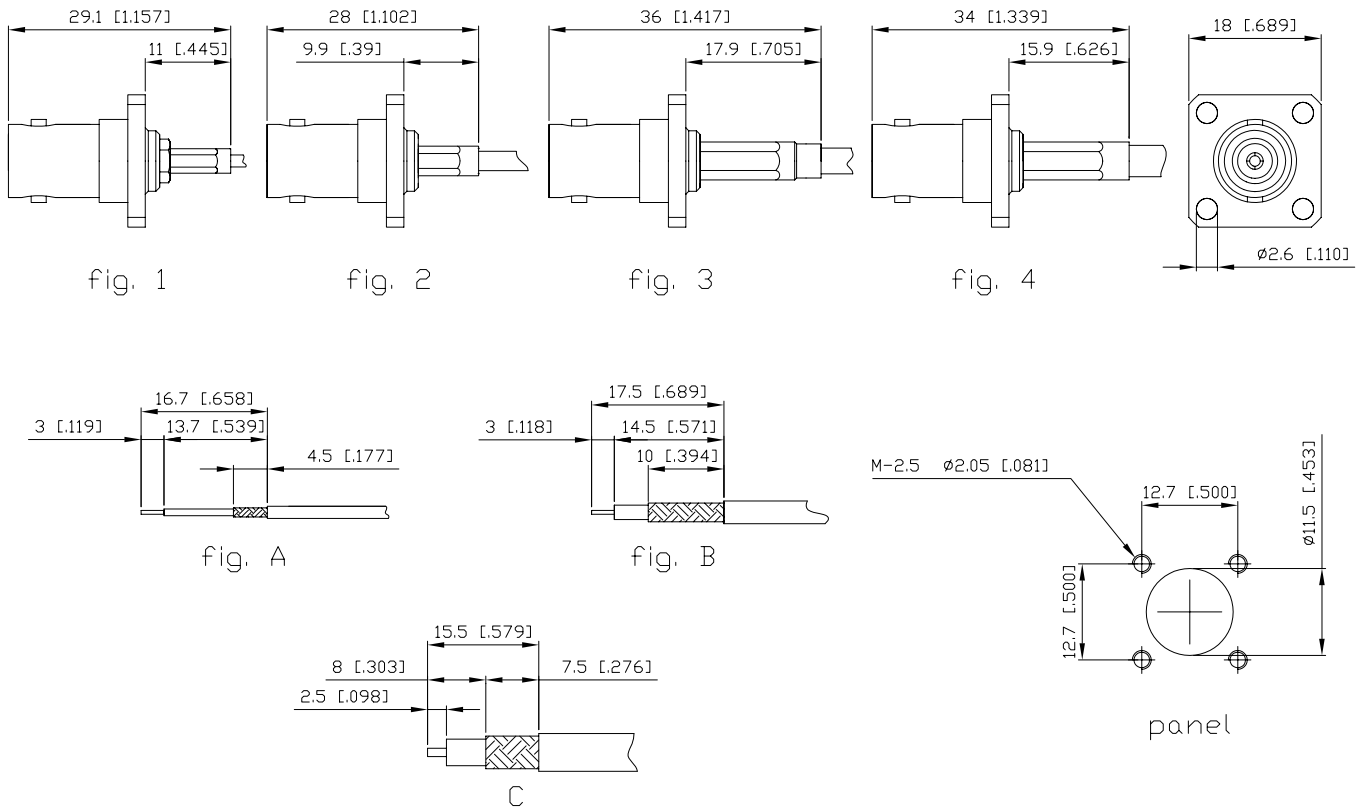
straight crimp type jack panel
(square flange)



CABLE CABLE	INSTRUC. INSTRUC.	Ω	ALFA'R CODE CÓDIGO ALFA'R	FIG. FIG.	CRIMPING TOOL HERRAMIENTA CRIMP
TX-20	INS 8	75	A-BNC-22C16-75	1 A	A-EIN-C-1-C61
RG-178; RG-196		50	A-BNC-22C18-50		
RG-179		75	A-BNC-22C25-75		
RG-316	INS 36	--	A-BNC-22C25-75-A	2 B	A-EIN-C-1-931
RG-174; RG-188	INS 8	50	A-BNC-22C25A-50	1 A	A-EIN-C-1-641
RG-187	INS 36	--	A-BNC-22C26-50		
FLEX-2	INS 8	75	A-BNC-22C26B-75	1 A	A-EIN-C-1-641
FLEX-3	INS 36	--	A-BNC-22C27-75		
S 0.4/2.5	INS 9	75	A-BNC-22C27-75-A	3 C	A-EIN-C-1-931
FLEX-4			A-BNC-22C35-75		
FLEX-5			A-BNC-22C44A-75		
RG-58; RG-141; RG-303			A-BNC-22C45-75		
RG-142; RG-400		A-BNC-22C47-75			
RG-223		A-BNC-22C50-50			
ST-214		A-BNC-22C50A-50			
FLEX-6		A-BNC-22C54-50			
RG-59		A-BNC-22C59-75			
0.8-0.7; 1505A; 9889; VK-6		75	A-BNC-22C60-75		
LMR-240			A-BNC-22C61-75		
			A-BNC-22C61B-75		
		50	A-BNC-22C61D-50		

hembra crimp HD-3GHz 75Ω
(pletina cuadrada)

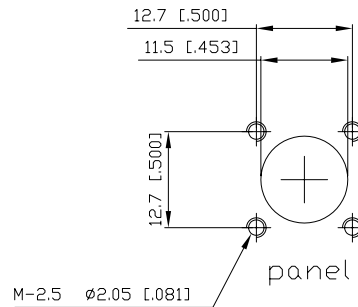
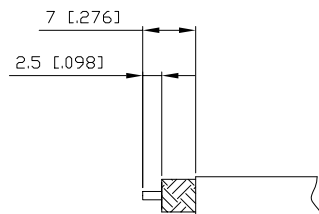
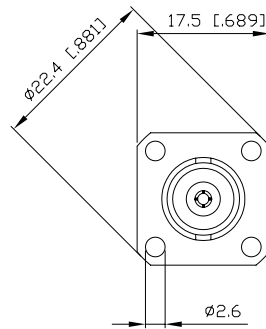
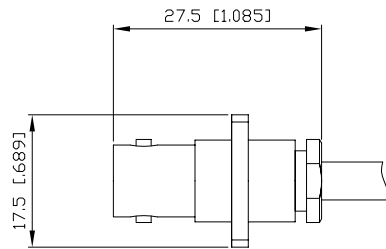
crimp type jack HD-3GHz 75Ω
(square flange)



CABLE CABLE	INSTRUC. INSTRUC.	ALFA'R CODE CODIGO ALFA'R	FIG. FIG.	CRIMPING TOOL HERRAMIENTA CRIMP
TX-20	INS 08	A-BNC-22C16-75-H	1	A-EIN-C-1-C6K
RG179	INS 09	A-BNC-22C25-75-H	2	
RG187		A-BNC-22C26B-75-H		
FLEX-2		A-BNC-22C27-75-H	3	A-EIN-C-1-96K
ST-212		A-BNC-22C31-75-H		
FLEX-3		A-BNC-22C35-75-H		
BT-3002		A-BNC-22C36-75-H		
TZC-75024; CM-195 DM; L910-34		A-BNC-22C36A-75-H		
L910-39		A-BNC-22C39-75-H		
0.6/2.8; VK-5		A-BNC-22C44-75-H	4	A-EIN-C-1-93K
S 0.4/2.5		A-BNC-22C44A-75-H		
FLEX-4	A-BNC-22C45-75-H			
FLEX-5	A-BNC-22C47-75-H			
ST-214	A-BNC-22C59-75-H			
FLEX-6	A-BNC-22C60-75-H			
RG-59	A-BNC-22C61-75-H	4	A-EIN-C-1-43K	
0.8/0.7; 1505A; 9889; VK-6	A-BNC-22C61B-75-H			

hembra recta panel prensaestopas
(pletina cuadrada)

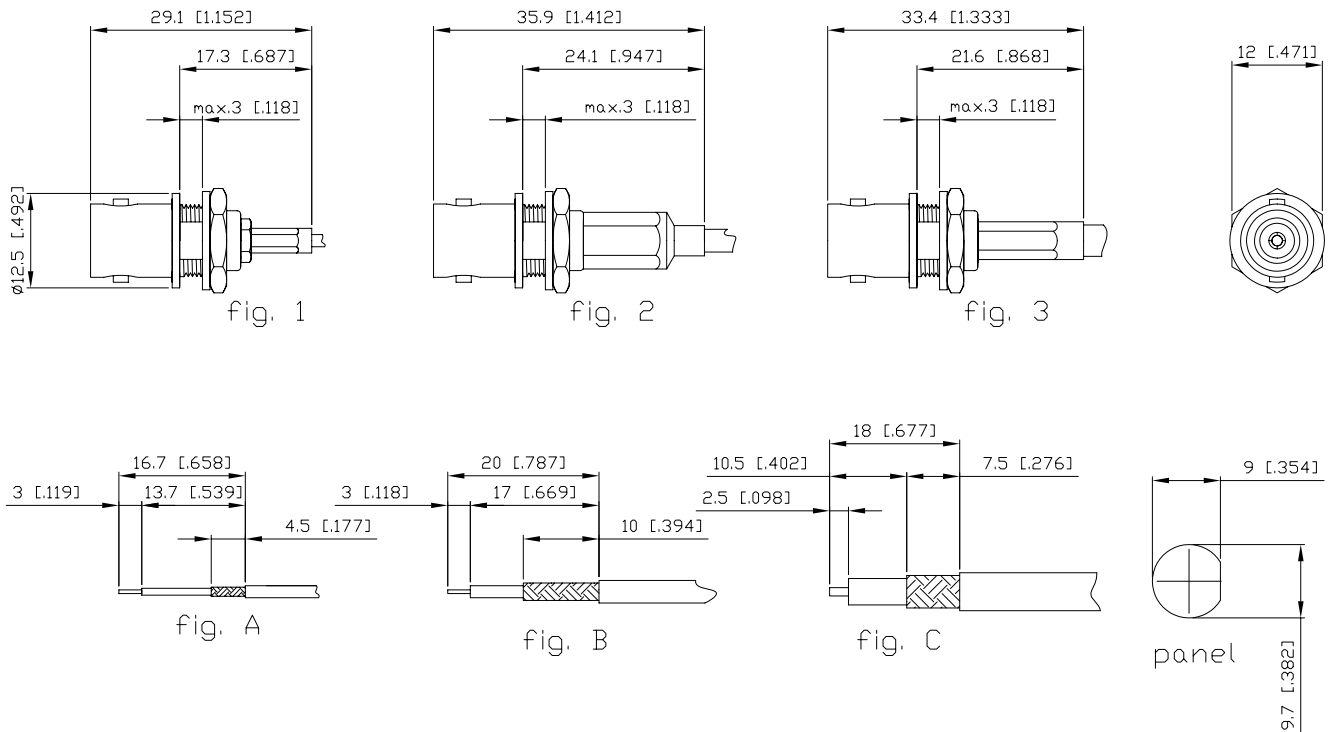
straight clamp type jack panel
(square flange)



CABLE	INSTRUC.	Ω	ALFA'R CODE		
CABLE	INSTRUC.		CÓDIGO ALFA'R		
RG-179	INS 12	75	A-BNC-22P25-75		
RG-316		50	A-BNC-22P25A-50		
RG-174; RG-188				A-BNC-22P26-50	
RG-187		75	A-BNC-22P26B-75		
FLEX-2				A-BNC-22P27-75	
RG-58; RG-141; RG-303		50	A-BNC-22P50-50		
RG-142; RG-400				A-BNC-22P50A-50	
ST-214				A-BNC-22P59-75	
FLEX-6		75		A-BNC-22P60-75	
RG-59				A-BNC-22P61-75	
Three Shield $\phi 6.1$				A-BNC-22P61B-75	
LMR-240			50	A-BNC-22P61D-50	

hembra recta panel crimp
(montaje frontal)

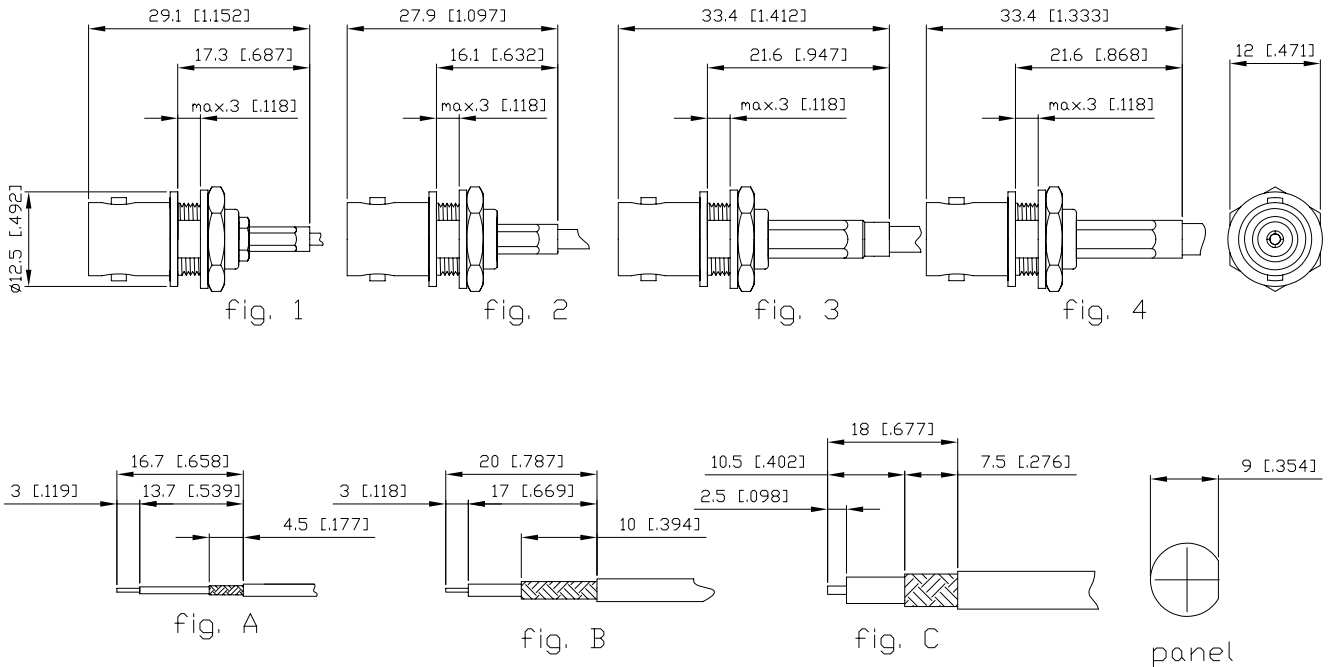
straight crimp type bulkhead jack
(front mounting)



CABLE CABLE	INSTRUC. INSTRUC.	Ω	ALFA'R CODE CÓDIGO ALFA'R	FIG. FIG.	CRIMPING TOOL HERRAMIENTA CRIMP
TX-20	INS 8	75	A-BNC-25C16-75	1 A	A-EIN-C-1-C61
RG-178; RG-196		50	A-BNC-25C18-50		
RG-179		75	A-BNC-25C25-75		
RG-316	INS 36	--	A-BNC-25C25-75-B	2 B	A-EIN-C-1-931
RG-174; RG-188	INS 8	50	A-BNC-25C25A-50	1 A	A-EIN-C-1-641
RG-187	INS 36	--	A-BNC-25C26-50		
FLEX-2	INS 8	75	A-BNC-25C26B-50-B	2 B	A-EIN-C-1-931
FLEX-3	INS 36	75	A-BNC-25C27-75	1 A	A-EIN-C-1-641
S 0.4/2.5			A-BNC-25C27-75-B		
FLEX-4			A-BNC-25C35-75		
FLEX-5			A-BNC-25C44A-75		
RG-58; RG-141; RG-303	INS 9	50	A-BNC-25C45-75	3 C	A-EIN-C-1-931
RG-142; RG-400			A-BNC-25C47-75		
RG-223			A-BNC-25C50-50		
ST-214			A-BNC-25C50A-50		
FLEX-6			A-BNC-25C54-50		
RG-59			A-BNC-25C59-75		
0.8-0.7; 1505A; 9889; VK-6	75	75	A-BNC-25C60-75	3 C	A-EIN-C-1-931 A-EIN-C-1-341
LMR-240			A-BNC-25C61-75		
			A-BNC-25C61B-75		
	50	50	A-BNC-25C61D-50		

hembra recta panel crimp
HD-3GHz 75Ω (montaje frontal)

straight crimp type bulkhead jack
HD-3 GHz 75Ω (front mounting)



CABLE	INSTRUC.	ALFA'R CODE	FIG.	CRIMPING TOOL
CABLE	INSTRUC.	CODIGO ALFA'R	FIG.	HERRAMIENTA CRIMP
TX-20	INS 08	A-BNC-25C16-75-H	1	A-EIN-C-1-C6K
RG179	INS 09	A-BNC-25C25-75-H	2	
RG187		A-BNC-25C26B-75-H		
FLEX-2		A-BNC-25C27-75-H	3	A-EIN-C-1-96K
ST-212		A-BNC-25C31-75-H		
FLEX-3		A-BNC-25C35-75-H		
BT-3002		A-BNC-25C36-75-H		
TZC-75024; CM-195 DM; L910-34		A-BNC-25C36A-75-H	4	A-EIN-C-1-93K
L910-39		A-BNC-25C39-75-H		
0.6/2.8; VK-5		A-BNC-25C44-75-H		
S 0.4/2.5		A-BNC-25C44A-75-H		
FLEX-4		A-BNC-25C45-75-H		
FLEX-5		A-BNC-25C47-75-H		
ST-214		A-BNC-25C59-75-H		
FLEX-6		A-BNC-25C60-75-H		
RG-59		A-BNC-25C61-75-H	4	A-EIN-C-1-43K
0.8/0.7; 1505A; 9889; VK-6		A-BNC-25C61B-75-H		

hembra recta larga
panel crimp
(montaje frontal)

long straight crimp
type bulkhead jack
(front mounting)

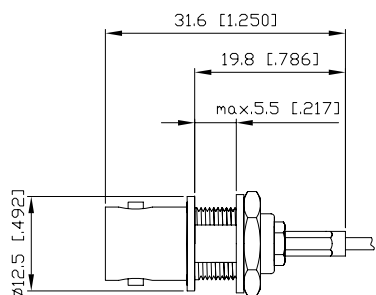


fig.1

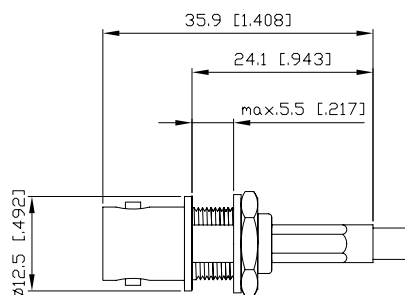


fig.2

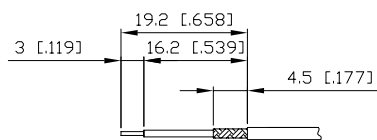
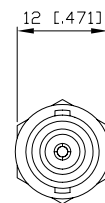


fig.A

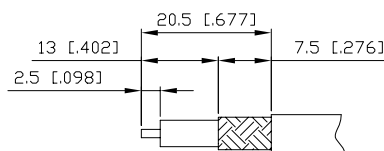
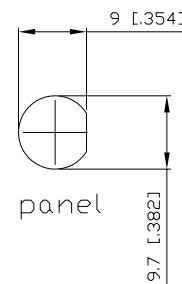


fig.B



panel

CABLE CABLE	INSTRUC. INSTRUC.	Ω	ALFA'R CODE CÓDIGO ALFA'R	FIG. FIG.	CRIMPING TOOL HERRAMIENTA CRIMP	
TX-20	INS 8	75	A-BNC-25C16-75-A	1	A	
RG-178; RG-196		50	A-BNC-25C18-50-A			A-EIN-C-1-C61
RG-179		75	A-BNC-25C25-75-A			
RG-316		50	A-BNC-25C25A-50-A		A-EIN-C-1-641	
RG-174; RG-188			A-BNC-25C26-50-A			
RG-187			A-BNC-25C26B-75-A			
FLEX-2	INS 9	75	A-BNC-25C27-75-A	2	B	
FLEX-3			A-BNC-25C35-75-A			A-EIN-C-1-931
S 0.4/2.5			A-BNC-25C44A-75-A			
FLEX-4		A-BNC-25C45-75-A	A-EIN-C-1-931 A-EIN-C-1-341			
FLEX-5		A-BNC-25C47-75-A				
RG-58; RG-141; RG-303		50			A-BNC-25C50-50-A	
RG-142; RG-400	A-BNC-25C50A-50-A					
RG-223	A-BNC-25C54-50-A					
ST-214	75	A-BNC-25C59-75-A	2	B		
FLEX-6		A-BNC-25C60-75-A				
RG-59		A-BNC-25C61-75-A				
0.8-0.7; 1505A; 9889; VK-6		A-BNC-25C61B-75-A				
LMR-240	50	50	A-BNC-25C61D-50-A			

hembra recta panel crimp
(montaje trasero)
estanco

straight crimp type bulkhead jack
(rear mounting)
waterproof

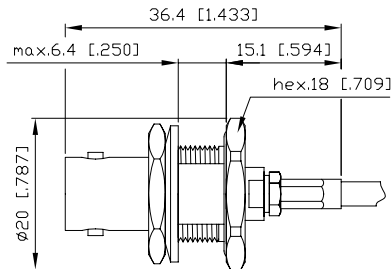


fig.1

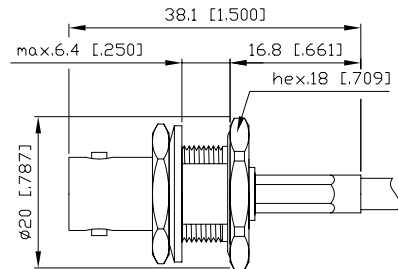


fig.2

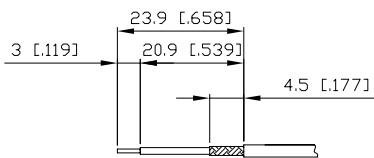


fig.A

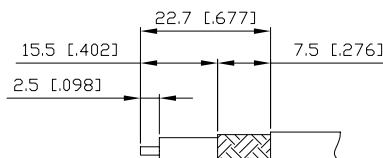
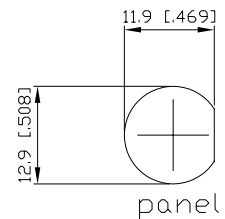


fig.B



panel

CABLE CABLE	INSTRUC. INSTRUC.	Ω	ALFA'R CODE CÓDIGO ALFA'R	FIG. FIG.	CRIMPING TOOL HERRAMIENTA CRIMP
TX-20	INS 15	75	A-BNC-26C16-75	1 A	A-EIN-C-1-C61
RG-178; RG-196		50	A-BNC-26C18-50		
RG-179		75	A-BNC-26C25-75		
RG-316		50	A-BNC-26C25A-50		
RG-174; RG-188		50	A-BNC-26C26-50		
RG-187	INS 9	75	A-BNC-26C26B-75	2 B	A-EIN-C-1-641
FLEX-2			A-BNC-26C27-75		
FLEX-3			A-BNC-26C35-75		
S 0.4/2.5			A-BNC-26C44A-75		
FLEX-4			A-BNC-26C45-75		
FLEX-5	A-BNC-26C47-75	2 B	A-EIN-C-1-931		
RG-58; RG-141; RG-303	50			A-BNC-26C50-50	
RG-142; RG-400				A-BNC-26C50A-50	
RG-223	75			A-BNC-26C54-50	
ST-214				A-BNC-26C59-75	
FLEX-6		A-BNC-26C60-75			
RG-59	50	A-BNC-26C61-75	2 B	A-EIN-C-1-931 A-EIN-C-1-341	
0.8-0.7; 1505A; 9889; VK-6		A-BNC-26C61B-75			
LMR-240		A-BNC-26C61D-50			

hembra recta panel
aislado crimp
(montaje trasero)
estanco

straight crimp type isolated
bulkhead jack
(rear mounting)
waterproof

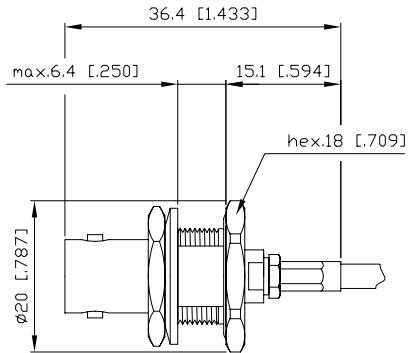


fig.1

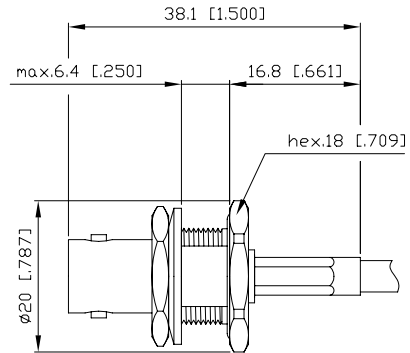


fig.2

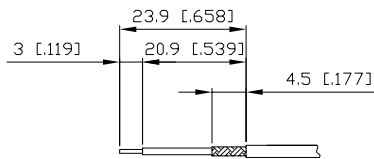


fig.A

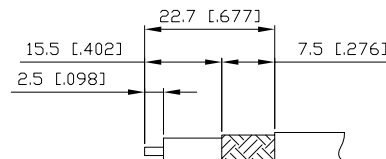
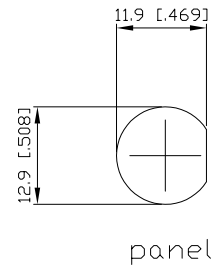


fig.B



panel

CABLE CABLE	NOTE NOTA	INSTRUC. INSTRUC.	Ω	ALFA'R CODE CÓDIGO ALFA'R	FIG. FIG.	CRIMPING TOOL HERRAMIENTA CRIMP
TX-20	metal thread ferrule	INS 15	75	A-BNC-26C16-75-B	1 A	A-EIN-C-1-C61
RG-178; RG-196			50	A-BNC-26C18-50-B		
RG-179			75	A-BNC-26C25-75-B		
RG-316			50	A-BNC-26C25A-50-B		
RG-174; RG-188				A-BNC-26C26-50-B		
RG-187				A-BNC-26C26B-75-B		
FLEX-2				A-BNC-26C27-75-B		
FLEX-3				A-BNC-26C35-75-B		
S 0.4/2.5				A-BNC-26C44A-75-B		
FLEX-4				A-BNC-26C45-75-B		
FLEX-5		A-BNC-26C47-75-B				
RG-58; RG-141; RG-303	casquillo rosca metálico	INS 9	50	A-BNC-26C50-50-B	2 B	A-EIN-C-1-931 A-EIN-C-1-341
RG-142; RG-400			50	A-BNC-26C50A-50-B		
RG-223			75	A-BNC-26C54-50-B		
ST-214				A-BNC-26C59-75-B		
FLEX-6				A-BNC-26C60-75-B		
RG-59			75	A-BNC-26C61-75-B		
0.8-0.7; 1505A; 9889; VK-6				A-BNC-26C61B-75-B		
LMR-240			50	A-BNC-26C61D-50-B		

hembra recta panel crimp
(montaje trasero)
estanco

straight crimp type bulkhead jack
(rear mounting)
waterproof

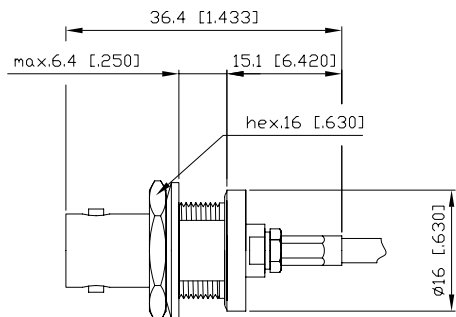


fig.1

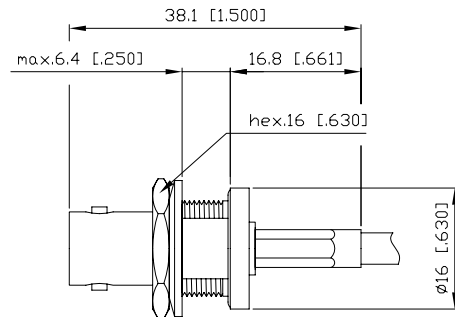


fig.2

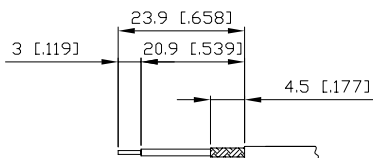


fig.A

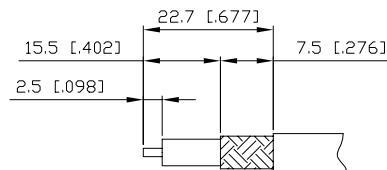
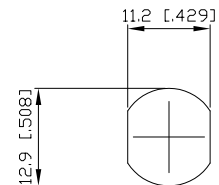


fig.B

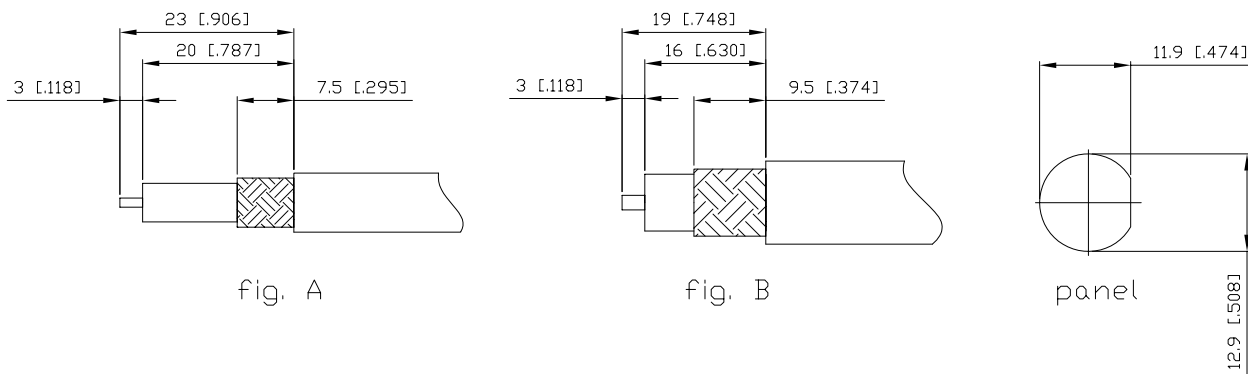
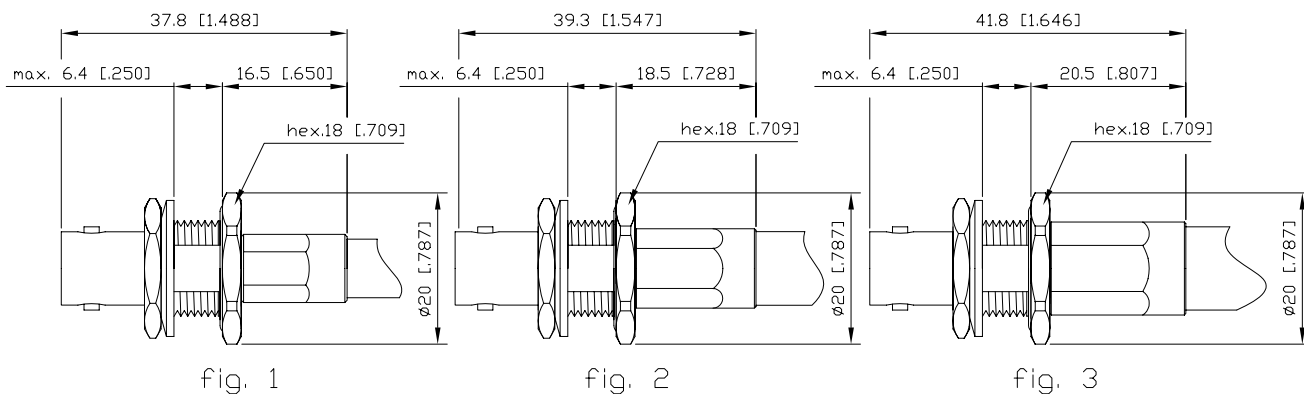


panel

CABLE CABLE	INSTRUC. INSTRUC.	Ω	ALFA'R CODE CÓDIGO ALFA'R	FIG. FIG.	CRIMPING TOOL HERRAMIENTA CRIMP
TX-20	INS 8	75	A-BNC-26C16-75-A	1	A
RG-178; RG-196		50	A-BNC-26C18-50-A		
RG-179		75	A-BNC-26C25-75-A		
RG-316		50	A-BNC-26C25A-50-A		
RG-174; RG-188			A-BNC-26C26-50-A		
RG-187			A-BNC-26C26B-75-A		
FLEX-2		INS 9	75		
FLEX-3	A-BNC-26C35-75-A				
S 0.4/2.5	A-BNC-26C44A-75-A				
FLEX-4	50		A-BNC-26C45-75-A		
FLEX-5			A-BNC-26C47-75-A		
RG-58; RG-141; RG-303			A-BNC-26C50-50-A		
RG-142; RG-400			A-BNC-26C50A-50-A		
RG-223	75	A-BNC-26C54-50-A			
ST-214		A-BNC-26C59-75-A			
FLEX-6		A-BNC-26C60-75-A			
RG-59		A-BNC-26C61-75-A			
0.8-0.7; 1505A; 9889; VK-6		A-BNC-26C61B-75-A			
LMR-240	50	A-BNC-26C61D-50-A			A-EIN-C-1-931 A-EIN-C-1-341

hembra recta panel crimp
(montaje trasero)
estanco

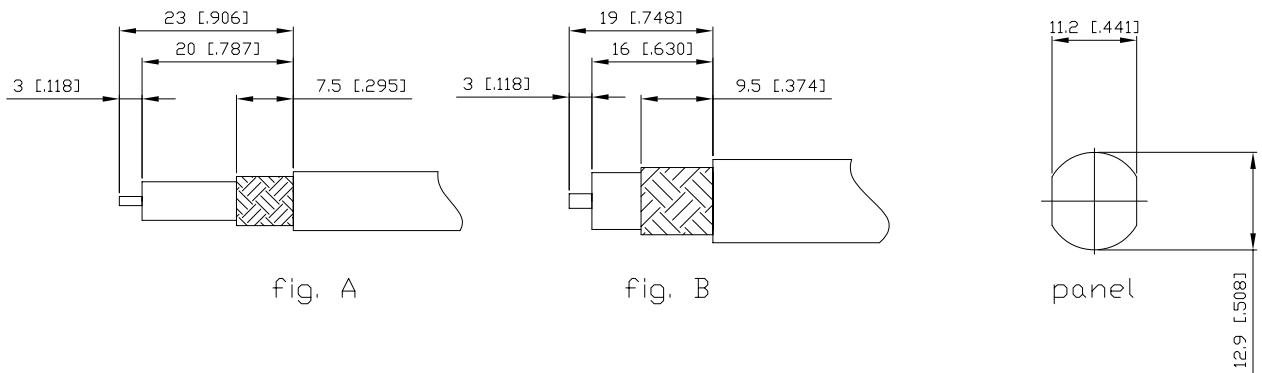
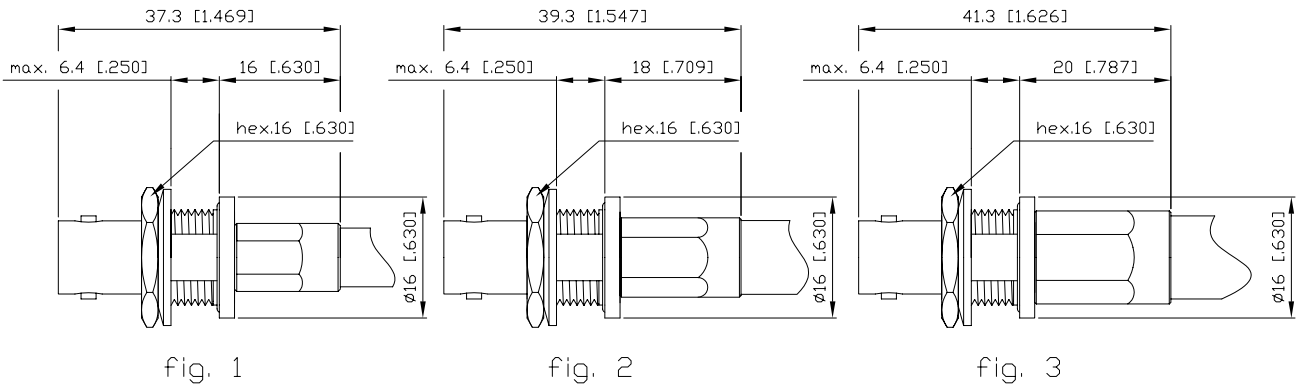
straight crimp type bulkhead jack
(rear mounting)
waterproof



CABLE CABLE	INSTRUC. INSTRUC.	Ω	ALFA'R CODE CÓDIGO ALFA'R	FIG. FIG.	CRIMPING TOOL HERRAMIENTA CRIMP
TF-2240 (TFC-T10)	INS 9	75	A-BNC-26C67-75	1	A
RG-6 CATV			A-BNC-26C68-75		
FLEX-7			A-BNC-26C74-75		
RG-6 MIL			A-BNC-26C84-75		
1.0/6.6/8.8			A-BNC-26C88-75		
RG-393	INS 10	50	A-BNC-26C99-50	3	B
RG-8			A-BNC-26C101-50		
CATV 14/8		75	A-BNC-26C102-75		
RG-213		50	A-BNC-26C103-50		
RG-11		75	A-BNC-26C103A-75		
LMR-400; RG-165		50	A-BNC-26C103D-50		
RG-214		50	A-BNC-26C108-50		
RG-216		75	A-BNC-26C108A-75		
RG-225		50	A-BNC-26C109-50		

hembra recta panel crimp
(montaje trasero)
estanco

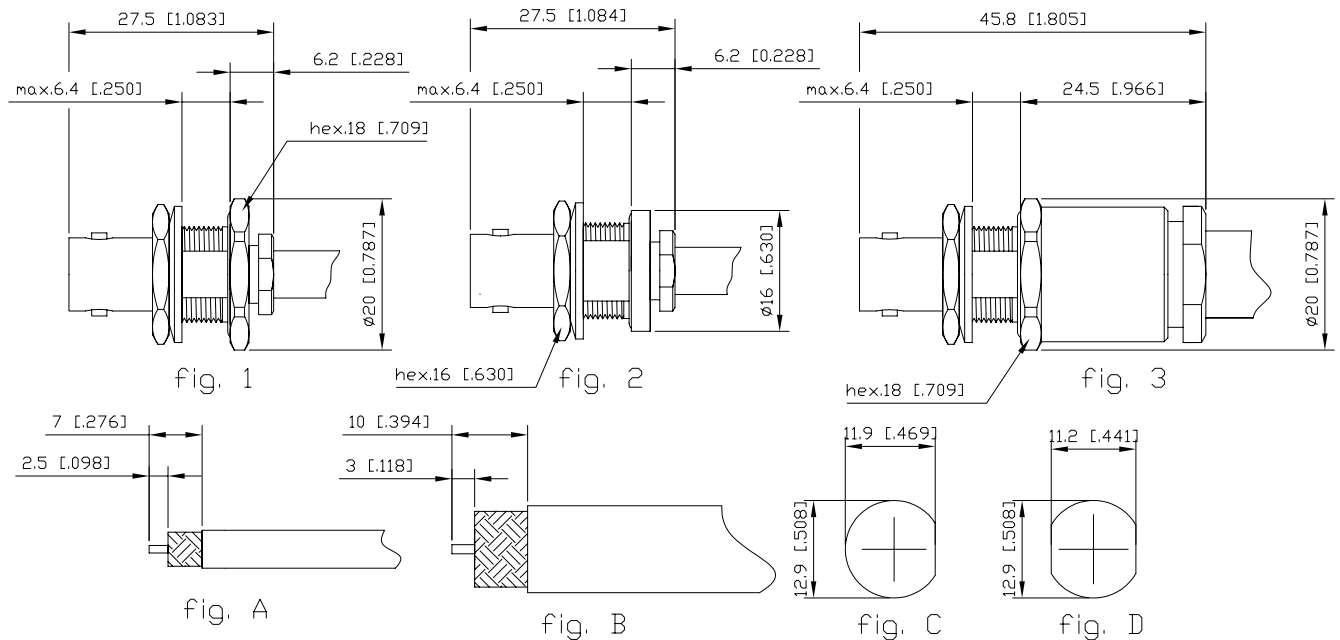
straight crimp type bulkhead jack
(rear mounting)
waterproof



CABLE CABLE	INSTRUC. INSTRUC.	Ω	ALFA'R CODE CÓDIGO ALFA'R	FIG. FIG.	CRIMPING TOOL HERRAMIENTA CRIMP
TF-2240 (TFC-T10)	INS 9	75	A-BNC-26C67-75-A	1	A
RG-6 CATV			A-BNC-26C68-75-A		
FLEX-7			A-BNC-26C74-75-A	2	B
RG-6 MIL			A-BNC-26C84-75-A		
1.0/6.6/8.8			A-BNC-26C88-75-A		
RG-393	INS 10	50	A-BNC-26C99-50-A	3	B
RG-8			A-BNC-26C101-50-A		
CATV 14/8		75	A-BNC-26C102-75-A		
RG-213		50	A-BNC-26C103-50-A		
RG-11		75	A-BNC-26C103A-75-A		
LMR-400; RG-165		50	A-BNC-26C103D-50-A		
RG-214			A-BNC-26C108-50-A		
RG-216		75	A-BNC-26C108A-75-A		
RG-225		50	A-BNC-26C109-50-A		

hembra recta panel prensaestopas
(montaje trasero)
estanco

straight clamp type bulkhead jack
(rear mounting)
waterproof



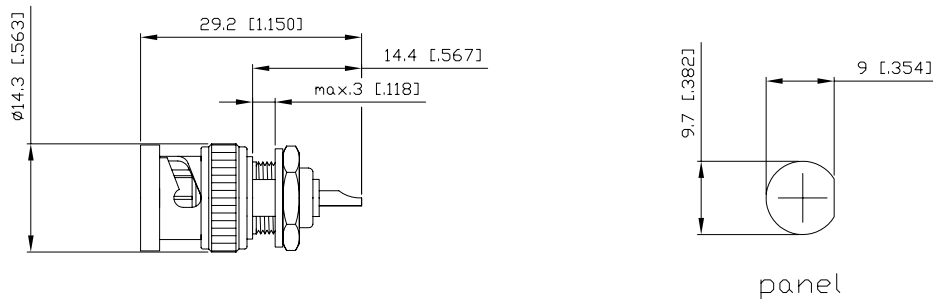
CABLE CABLE	INSTRUC. INSTRUC.	Ω	ALFA'R CODE CÓDIGO ALFA'R	FIG. FIG.	
RG-179	INS 12	75	A-BNC-26P25-75	1	C
			A-BNC-26P25-75-A	2	D
RG-316		50	A-BNC-26P25A-50	1	C
			A-BNC-26P25A-50-A	2	D
RG-174; RG-188			A-BNC-26P26-50	1	C
			A-BNC-26P26-50-A	2	D
RG-187		75	A-BNC-26P26B-75	1	C
			A-BNC-26P26B-75-A	2	D
RG-58; RG-141; RG-303		50	A-BNC-26P50-50	1	C
			A-BNC-26P50-50-A	2	D
RG-142; RG-400			A-BNC-26P50A-50	1	C
			A-BNC-26P50A-50-A	2	D
ST-214		75	A-BNC-26P59-75	1	C
			A-BNC-26P59-75-A	2	D
FLEX-6		75	A-BNC-26P60-75	1	C
			A-BNC-26P60-75-A	2	D
RG-59			A-BNC-26P61-75	1	C
			A-BNC-26P61-75-A	2	D
0.8-0.7; 1505A; 9889; VK-6		50	A-BNC-26P61B-75	1	C
			A-BNC-26P61B-75-A	2	D
LMR-240	A-BNC-26P61D-50		1	C	
	A-BNC-26P61D-50-A		2	D	
RG-8	INS 13	75	A-BNC-26P101-50	3	B
CATV14/8			A-BNC-26P102-75		
RG-213		50	A-BNC-26P103-50		
RG-11		75	A-BNC-26P103A-75		
LMR-400; RG-165		50	A-BNC-26P103D-50		
RG-214		50	A-BNC-26P108-50		
RG-216		75	A-BNC-26P108A-75		
RG-225		50	A-BNC-26P109-50		

**Conectores panel con
contacto central soldable**

macho panel

*Receptacle connectors with
solder inner contact*

bulkhead plug receptacle



panel

NOTE NOTA	Ω	ALFA'R CODE CÓDIGO ALFA'R	SOLDER TAG TERMINAL MASA
<i>front mounting</i> montaje frontal	50	A-BNC-15TF-50	A-ACC-TM-100
	75	A-BNC-15TF-75	

hembra panel

bulkhead jack receptacle

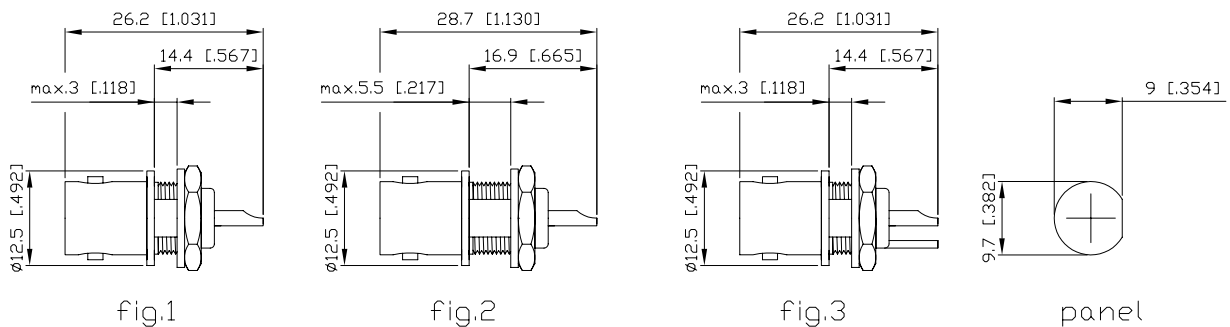


fig.1

fig.2

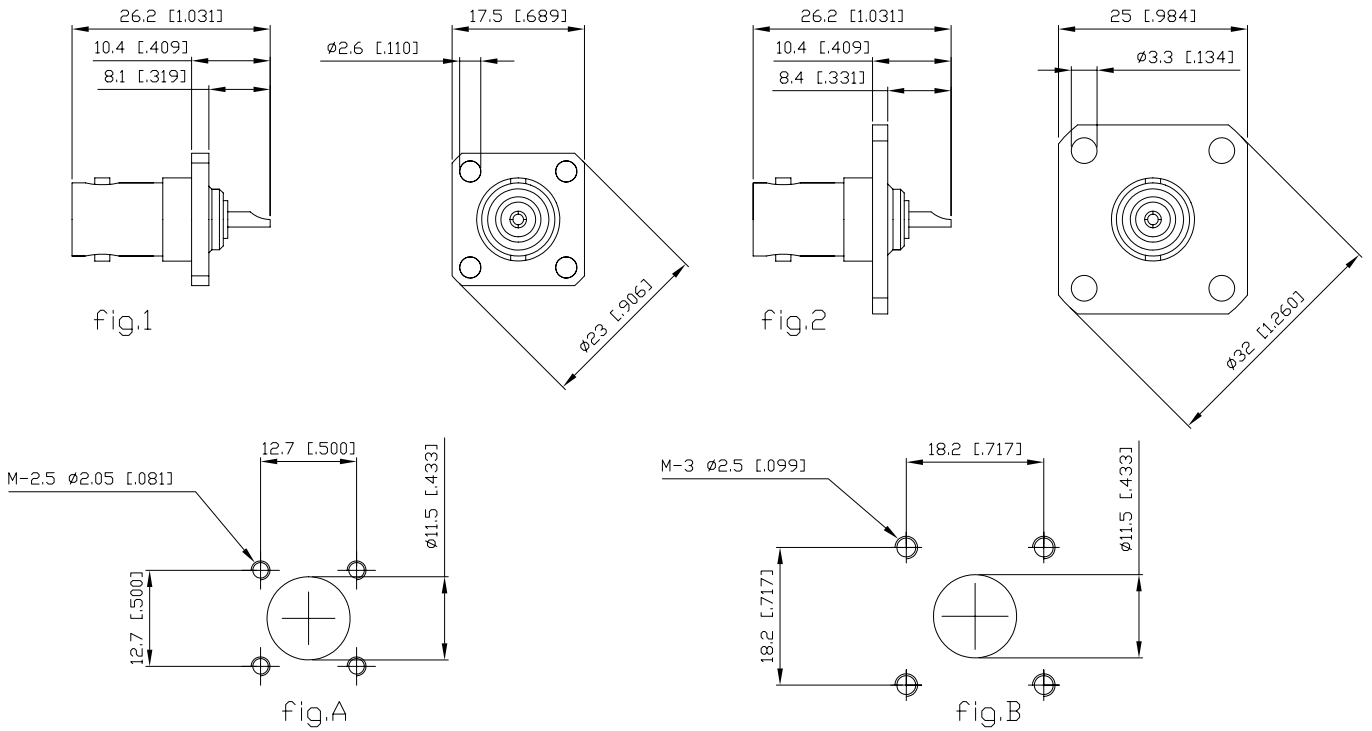
fig.3

panel

NOTE NOTA	Ω	ALFA'R CODE CÓDIGO ALFA'R	FIG. FIG.	SOLDER TAG TERMINAL MASA
<i>front mounting</i> montaje frontal	50	A-BNC-25TF-50	1	A-ACC-TM-100
	75	A-BNC-25TF-75		
	50	A-BNC-25TF-50-A	2	
	75	A-BNC-25TF-75-A		
<i>front mounting (insolated panel)</i> montaje frontal (panel aislado)	50	A-BNC-25TF-50-C	3	
	75	A-BNC-25TF-75-C		

hembra panel

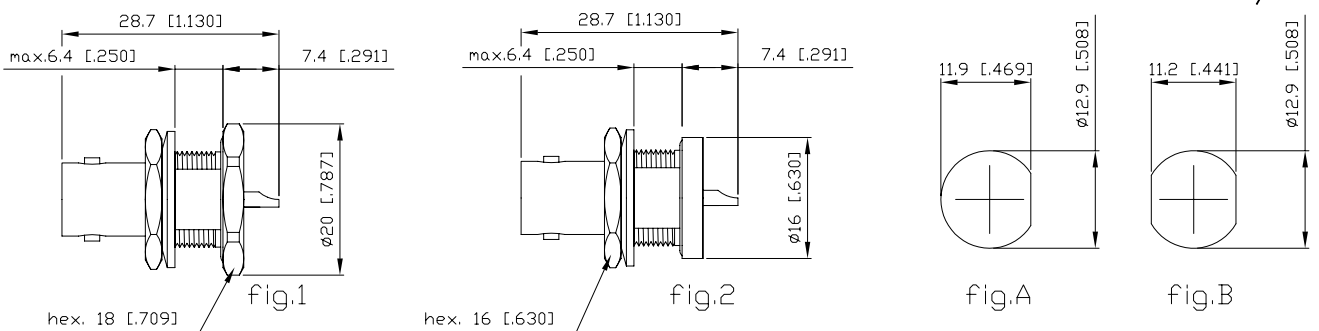
jack receptacle



NOTE NOTA	Ω	ALFA`R CODE CÓDIGO ALFA`R	FIG. FIG.	SOLDER TAG TERMINAL MASA
square standard flange (4 holes) pletina cuadrada standard (4 taladros)	50	A-BNC-22TF-50	1 A	A-ACC-TM-030
	75	A-BNC-22TF-75		
square flange 25 mm. (4 holes) pletina cuadrada 25 mm. (4 taladros)	50	A-BNC-22TF-50-A	2 B	A-ACC-TM-030
	75	A-BNC-22TF-75-A		

hembra panel
estanco

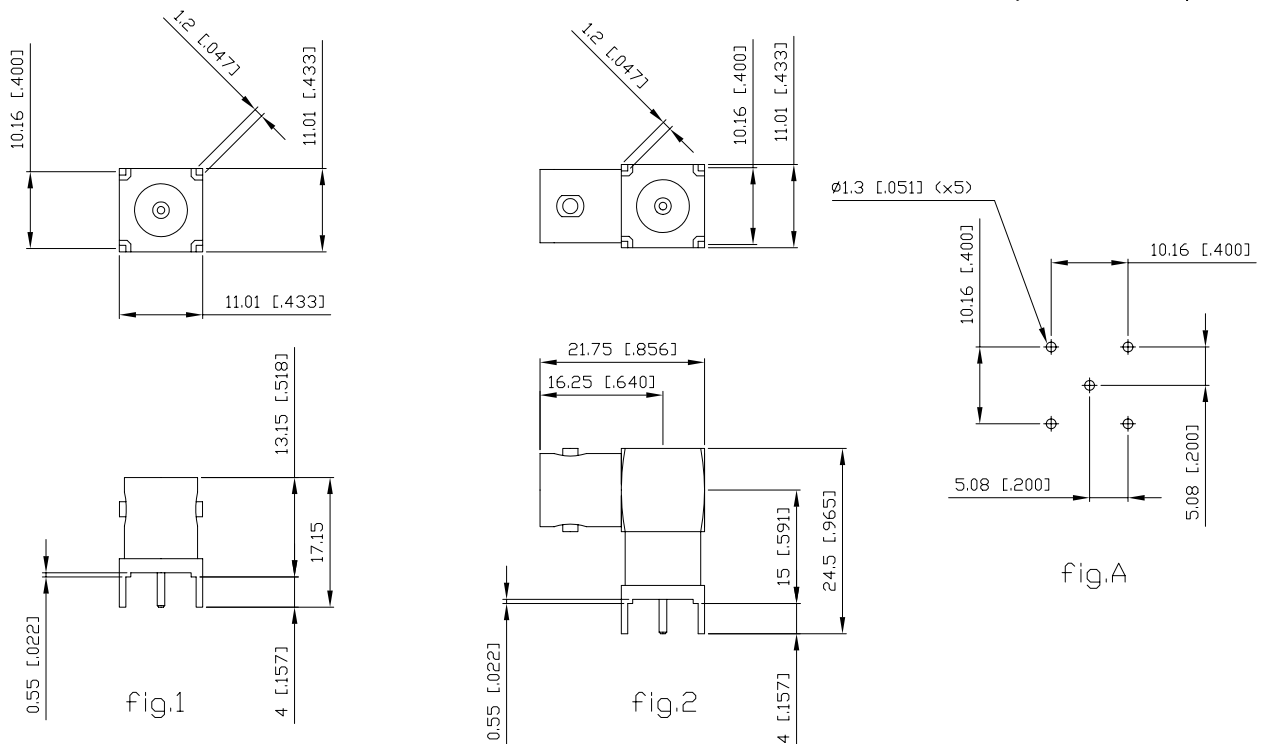
bulkhead jack receptacle
waterproof



NOTE NOTA	Ω	ALFA`R CODE CÓDIGO ALFA`R	FIG. FIG.	
rear mounting montaje trasero	50	A-BNC-26TF-50	1 A	
	75	A-BNC-26TF-75		
	50	A-BNC-26TF-50-A	2 B	
	75	A-BNC-26TF-75-A		
isolated panel (metal thread ferrule) panel aislado (casquillo rosca metálico)	50	A-BNC-26TF-50-B	1 A	
	75	A-BNC-26TF-75-B		

Conectores para montar en circuito impreso
hembra base

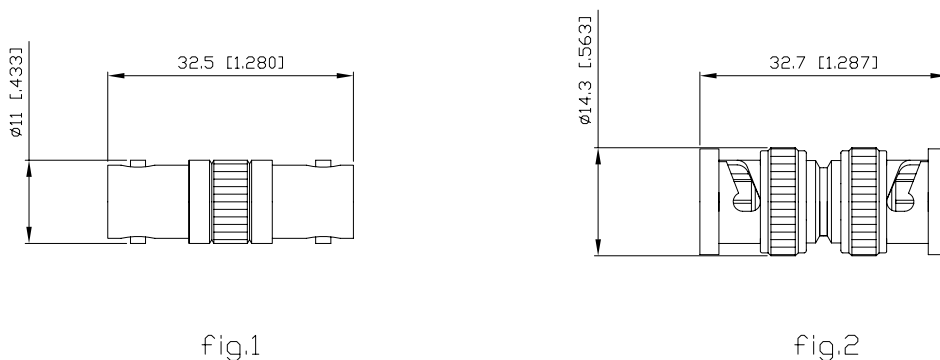
Connectors for printed circuit board mounting
jack receptacle



NOTE NOTA	Ω	ALFA'R CODE CÓDIGO ALFA'R	FIG. FIG.
straight jack hembra recta	50	A-BNC-22CI-50	1
right angle jack (90°) hembra en angulo recto (90°)		A-BNC-23CI-50	2

Adaptadores
prolongación

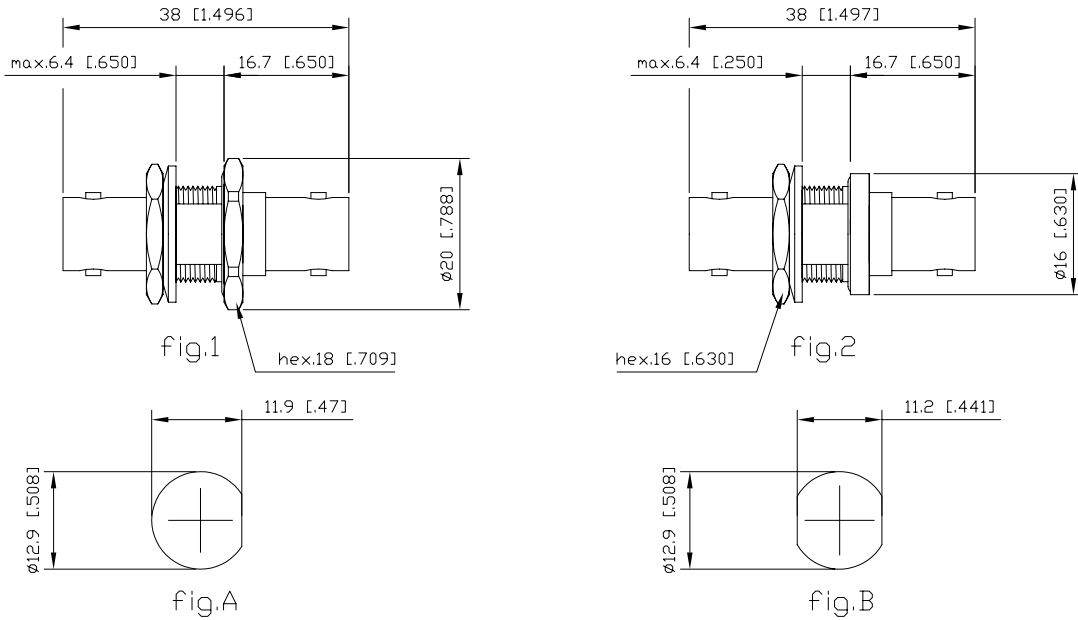
Adaptors
prolongation



NOTE NOTA	Ω	ALFA'R CODE CÓDIGO ALFA'R	FIG. FIG.
straight jack-jack recto hembra-hembra	50	A-BNC-00-50	1
	75	A-BNC-00-75	
straight plug-plug recto macho-macho	50	A-BNC-03-50	2
	75	A-BNC-03-75	

pasamuros hembra-hembra
estanco

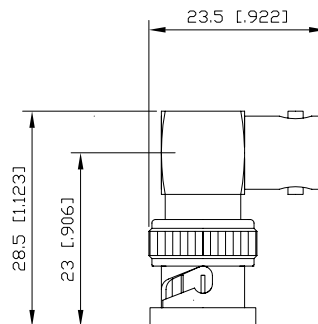
*bulkhead jack-jack
waterproof*



NOTE NOTA	Ω	ALFA'R CODE CODIGO ALFA'R	FIG. FIG.
<i>isolated panel , metal thread ferrule</i> panel aislado , casquillo rosca metálica	50	A-BNC-02-50	1 A
		A-BNC-02-50-C	2 B
		A-BNC-02-50-A	2 B
<i>isolated panel , metal thread ferrule</i> panel aislado , casquillo rosca metálica	75	A-BNC-02-75	1 A
		A-BNC-02-75-B	1 A
		A-BNC-02-75-A	2 B

adaptador a 90°

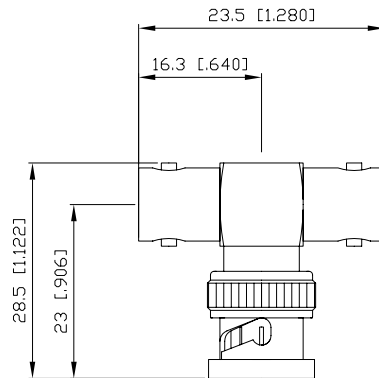
90° adapter



NOTE NOTA	Ω	ALFA'R CODE CODIGO ALFA'R
<i>plug-jack</i> macho-hembra	50	A-BNC-31-50
	75	A-BNC-31-75

adaptador en T

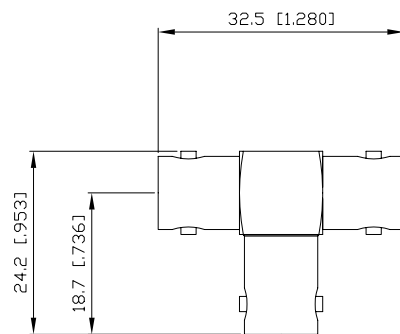
T adapter



NOTE NOTA	Ω	ALFA'R CODE CÓDIGO ALFA'R	
<i>jack-plug-jack</i> hembra-macho-hembra	50	A-BNC-40-50	
	75	A-BNC-40-75	

adaptador en T

T adapter

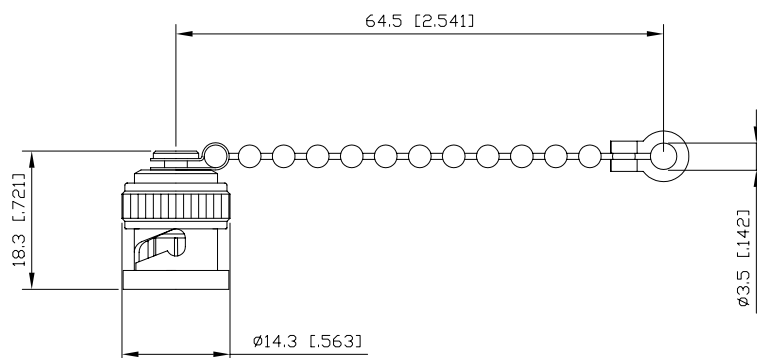


NOTE NOTA	Ω	ALFA'R CODE CÓDIGO ALFA'R	
<i>jack-jack-jack</i> hembra-hembra-hembra	50	A-BNC-44-50	
	75	A-BNC-44-75	

Protectores

tapón para hembra

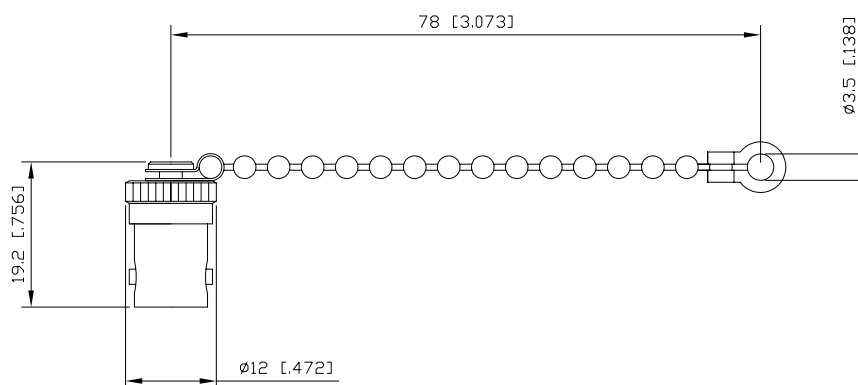
*Protectives
cap for jack*



NOTE NOTA		Ω	ALFA'R CODE CÓDIGO ALFA'R
<i>protective cap</i> tapón protector	<i>without chain</i> sin cadena		A-BNC-51-00-A
<i>protective cap</i> tapón protector	<i>with chain</i> con cadena		A-BNC-51-00
<i>short circuit cap</i> tapón corto circuito	<i>without chain</i> sin cadena	50	A-BNC-53-50-A
		75	A-BNC-53-75-A
<i>short circuit cap</i> tapón corto circuito	<i>with chain</i> con cadena	50	A-BNC-53-50
		75	A-BNC-53-75

tapón para macho

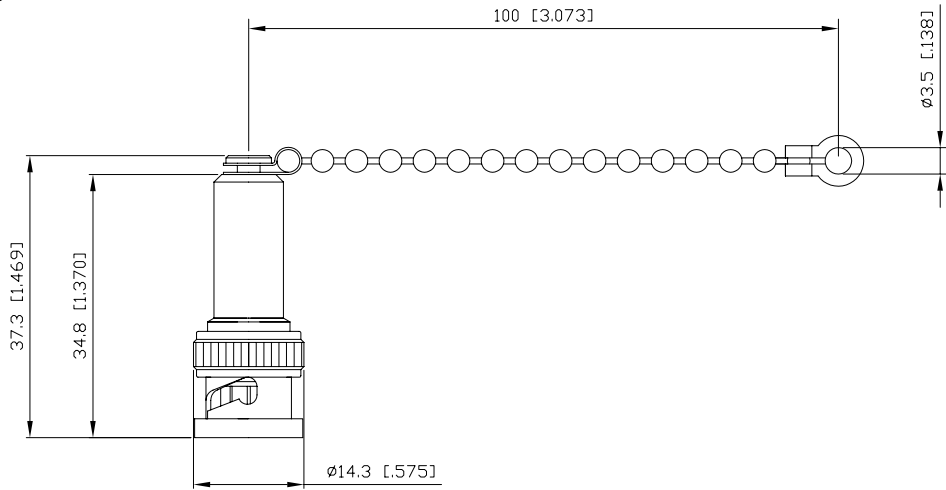
cap for plug



NOTE NOTA		Ω	ALFA'R CODE CÓDIGO ALFA'R
<i>protective cap</i> tapón protector	<i>without chain</i> sin cadena		A-BNC-50-00-A
<i>protective cap</i> tapón protector	<i>with chain</i> con cadena		A-BNC-50-00
<i>short circuit cap</i> tapón corto circuito	<i>without chain</i> sin cadena	50	A-BNC-52-50-A
		75	A-BNC-52-75-A
<i>short circuit cap</i> tapón corto circuito	<i>with chain</i> con cadena	50	A-BNC-52-50
		75	A-BNC-52-75

Terminaciones
macho

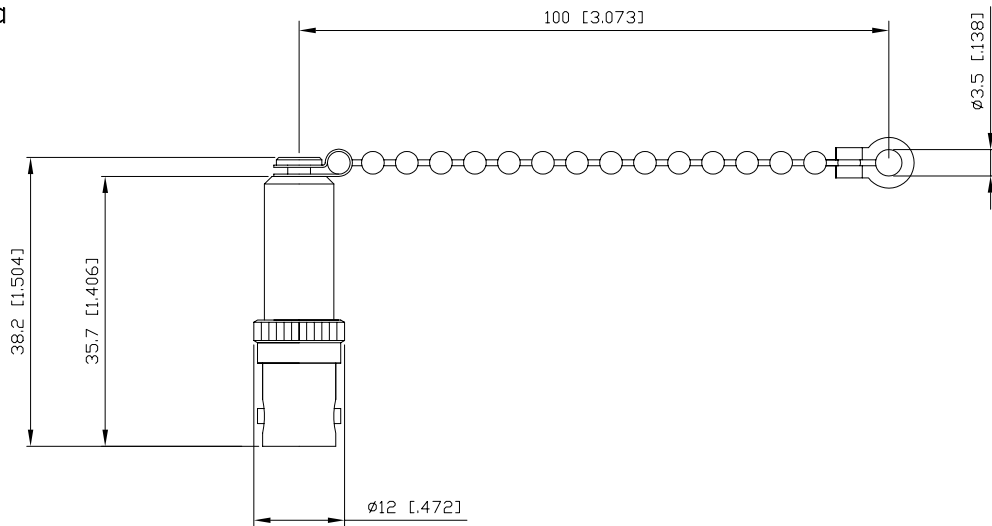
Terminations
plug



NOTE NOTA	IMPEDANCE IMPEDANCIA	POWER POTENCIA	ALFA'R CODE CÓDIGO ALFA'R	VSWR	
				300MHz	1000MHz
without chain sin cadena	50 Ω ± 1 Ω	0.5 Watt	A-BNC-54-50	≤1.05	≤ 1.1
with chain con cadena			A-BNC-54-50-A		
without chain sin cadena	75 Ω ± 1 Ω		A-BNC-54-75		
with chain con cadena			A-BNC-54-75-A		

hembra

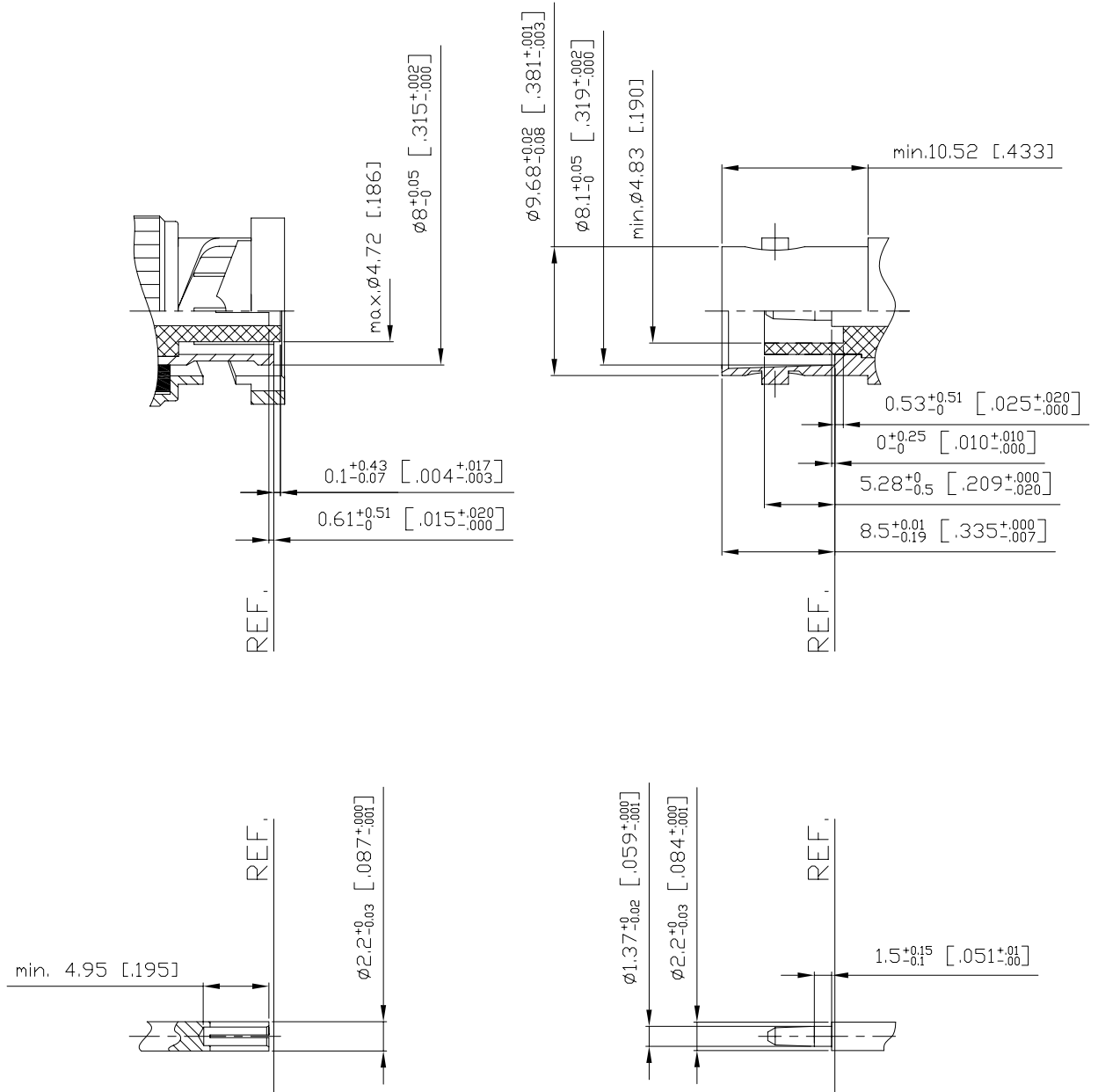
jack



NOTE NOTA	IMPEDANCE IMPEDANCIA	POWER POTENCIA	ALFA'R CODE CÓDIGO ALFA'R	VSWR	
				300MHz	1000MHz
without chain sin cadena	50 Ω ± 1 Ω	0.5 Watt	A-BNC-55-50	≤1.05	≤ 1.1
with chain con cadena			A-BNC-55-50-A		
without chain sin cadena	75 Ω ± 1 Ω		A-BNC-55-75		
with chain con cadena			A-BNC-55-75-A		

**DIMENSIONES INTERCONEXIÓN
CONTACTO CENTRAL INVERTIDO**

***INTERFACE DIMENSIONS
REVERSE INNER CONTACT***



Conectores para cable flexible

Connectors for flexible cable

CONTACTO CENTRAL INVERTIDO
recto crimp

REVERSE INNER CONTACT
straight crimp type

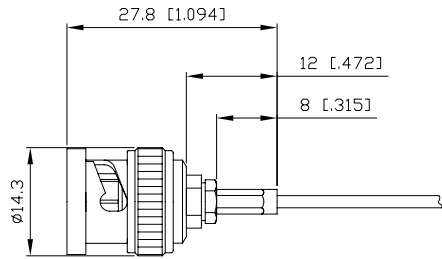


fig. 1

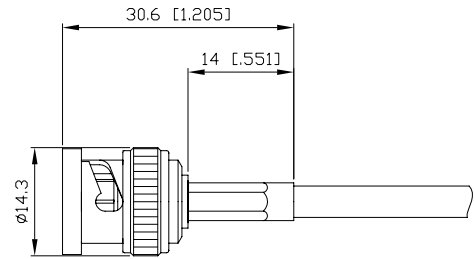


fig. 2

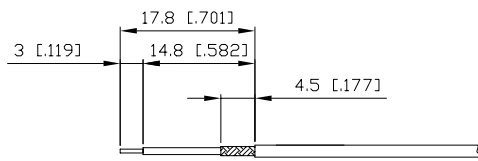


fig. A

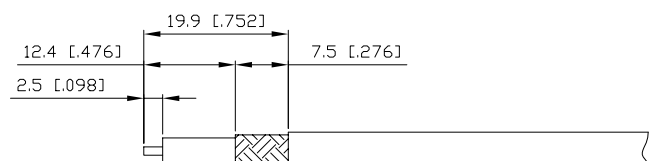


fig. B

CABLE CABLE	INSTRUC. INSTRUC.	Ω	ALFA'R CODE CODIGO ALFA'R	FIG. FIG.	CRIMPING TOOL HERRAMIENTA CRIMP	
RG-178; RG-196	INS 8	50	A-BNCI-20C18-50	1	A	A-EIN-C-1-C61
RG-316			A-BNCI-20C25A-50			A-EIN-C-1-641
RG-174; RG-188			A-BNCI-20C26-50			
RG-58; RG-141; RG-303	INS 9		A-BNCI-20C50-50	2	B	A-EIN-C-1-931 A-EIN-C-1-341
RG-142; RG-400			A-BNCI-20C50A-50			
RG-223			A-BNCI-20C54-50			
LMR-240		A-BNCI-20C61D-50				

CONTACTO CENTRAL INVERTIDO
recto crimp

REVERSE INNER CONTACT
straight crimp type

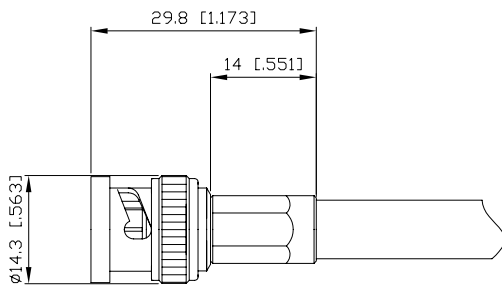


fig.1

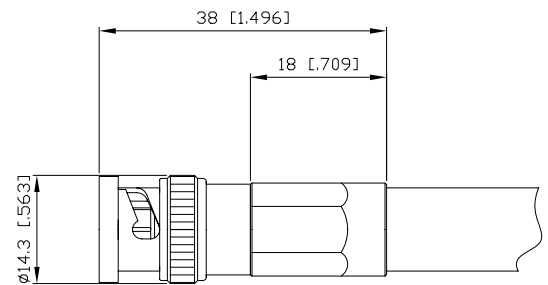


fig.2

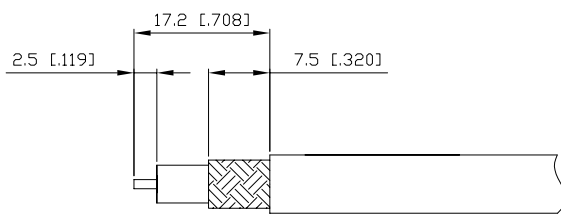


fig.A

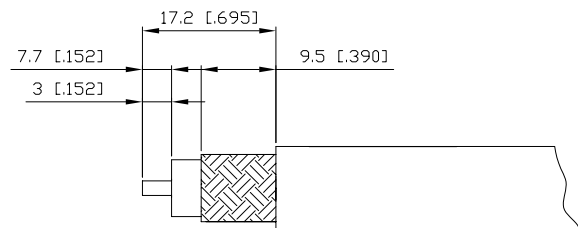
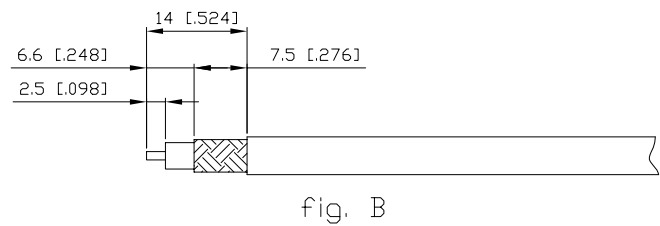
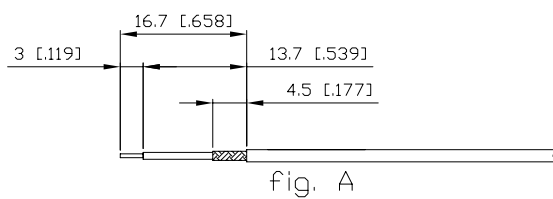
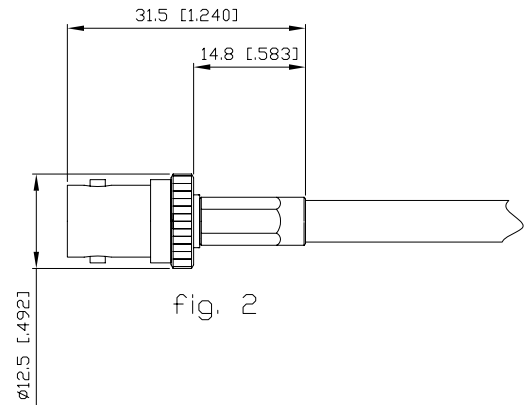
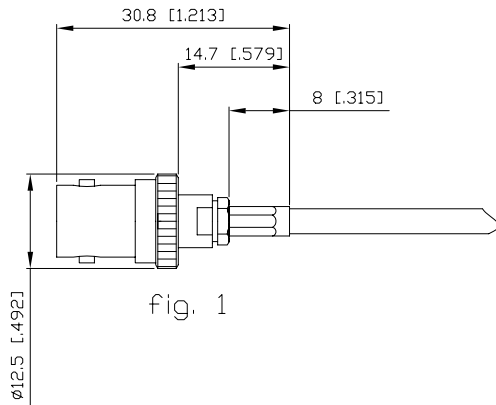


fig.B

CABLE CABLE	INSTRUC. INSTRUC.	Ω	ALFA'R CODE CÓDIGO ALFA'R	FIG. FIG.	CRIMPING TOOL HERRAMIENTA CRIMP	
5D-FB	INS 9	50	A-BNCI-20C76-50	1	A	A-EIN-C-1-51
RG-393	INS 10		A-BNCI-20C99-50			2
RG-8			A-BNCI-20C101-50	A-EIN-C-2-D2		
RG-213			A-BNCI-20C103-50	A-EIN-C-2-D2		
LMR-400; RG-165			A-BNCI-20C103D-50	A-EIN-C-2-D2		
RG-214			A-BNCI-20C108-50	A-EIN-C-2-D2		
RG-225			A-BNCI-20C109-50	A-EIN-C-2-D2		

CONTACTO CENTRAL INVERTIDO
recto crimp

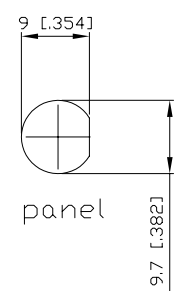
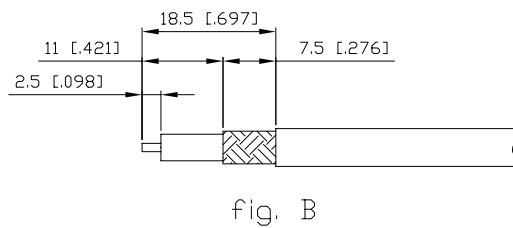
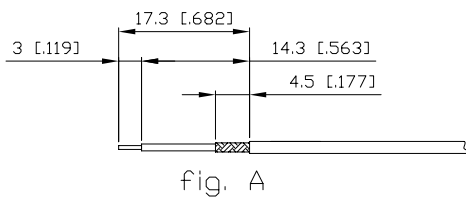
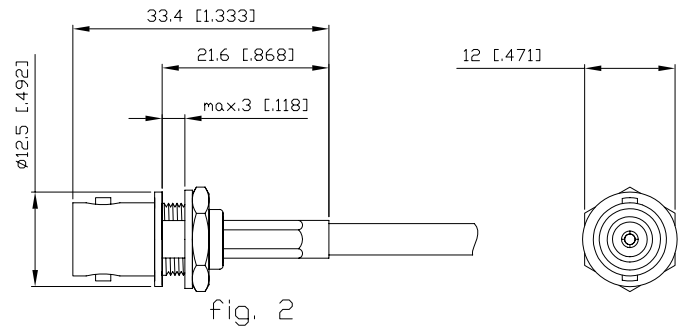
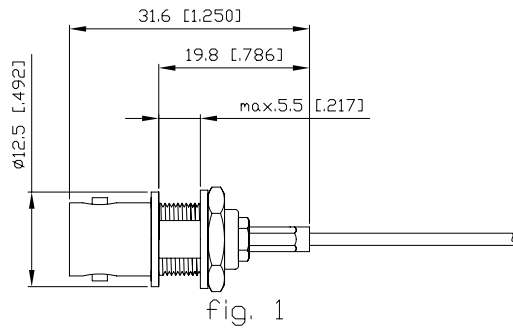
REVERSE INNER CONTACT
straight crimp type



CABLE CABLE	INSTRUC. INSTRUC.	Ω	ALFA'R CODE CÓDIGO ALFA'R	FIG. FIG.	CRIMPING TOOL HERRAMIENTA CRIMP
RG-178; RG-196	INS 8	50	A-BNCI-10C18-50	1	A
RG-316			A-BNCI-10C25A-50		
RG-174; RG-188			A-BNCI-10C26-50		
RG-58; RG-141; RG-303	INS 9		A-BNCI-10C50-50	2	B
RG-142; RG-400			A-BNCI-10C50A-50		
RG-223			A-BNCI-10C54-50		
LMR-240		A-BNCI-10C61D-50			

CONTACTO CENTRAL INVERTIDO
recto panel crimp
(montaje frontal)

REVERSE INNER CONTACT
straight crimp type bulkhead
(front mounting)



CABLE CABLE	INSTRUC. INSTRUC.	Ω	ALFA'R CODE CÓDIGO ALFA'R	FIG. FIG.	CRIMPING TOOL HERRAMIENTA CRIMP	
RG-178; RG-196	INS 8	50	A-BNCI-15C18-50	1	A	A-EIN-C-1-C61
RG-316			A-BNCI-15C25A-50			A-EIN-C-1-641
RG-174; RG-188			A-BNCI-15C26-50			
RG-58; RG-141; RG-303	INS 9		A-BNCI-15C50-50	2	B	A-EIN-C-1-931 A-EIN-C-1-341
RG-142; RG-400			A-BNCI-15C50A-50			
RG-223			A-BNCI-15C54-50			
LMR-240		A-BNCI-15C61D-50				